



# Transformer

by ABB



\*1M0000000\*

**Catalog Number**

**Type QL**

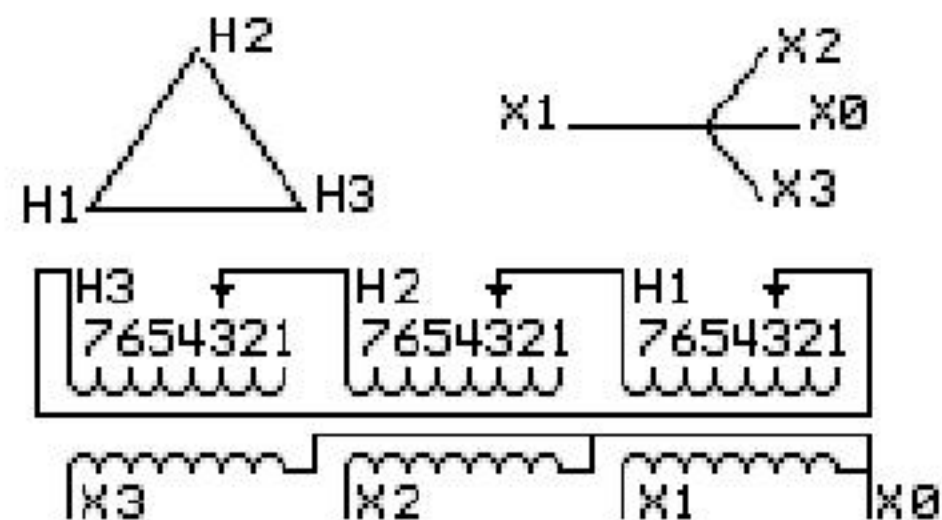
**9T10A1004G31**

**75.0 KVA    60 HZ    3 PH    5.4 % IMP**  
40 C AMB.    115 C RISE    220 C SYSTEM    IS-19C

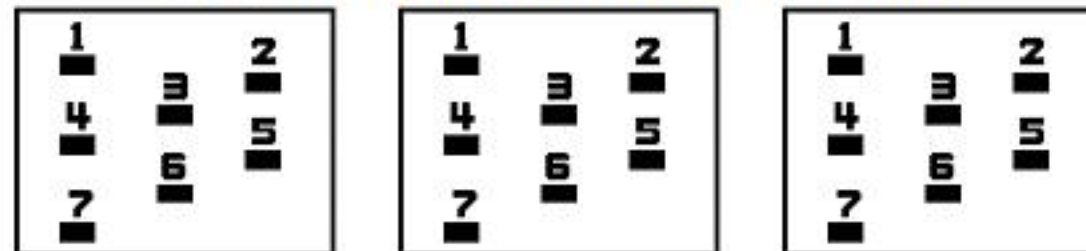
**JUMPER CONNECTION TAP VOLTS**

1	502
2	491
3	480
4	469
5	455
6	444
7	433

**PRIMARY (H)    480 VOLTS (LINE-LINE)**  
**SECONDARY (X)    208 VOLTS (LINE-LINE)**  
**120 VOLTS (LINE-NEUTRAL)**



### COIL TAP ARRANGEMENT



**NET WGT**  
603 LB  
273.5 Kg  
89038  
UX74A

**INSPECTION & FINAL TEST**  
NOG  
N139!  
092021



ENCLOSURE TYPE 2 (IP20). OR RAINPROOF TYPE 3R (IP22) WHEN PROVIDED SHIELD 9T18Y1074G06

BEFORE HANDLING, INSTALLING AND OPERATING, SEE INSTRUCTION 475A667AAP001

ALUMINUM CONDUCTOR    PRIMARY: 10 KV BIL    SECONDARY: 10 KV BIL

IN ACCORDANCE WITH NEC SECTION 450-9, ALLOW AT LEAST SIX INCHES CLEARANCE FOR VENTILATION.

CHECK ADDITIONAL NEC AND LOCAL CODE

ASSEMBLED IN MEXICO

**X3    H3    X2    H2    X1    H1**

-    -    -    -    -    -

Note: X0 at the bottom

Outline: 303B111GEUXP74A

NEMA CLASS AA DRY TYPE TRANSFORMER

Meets DOE 2016 efficiency