



# Transformer



\*1M000000\*

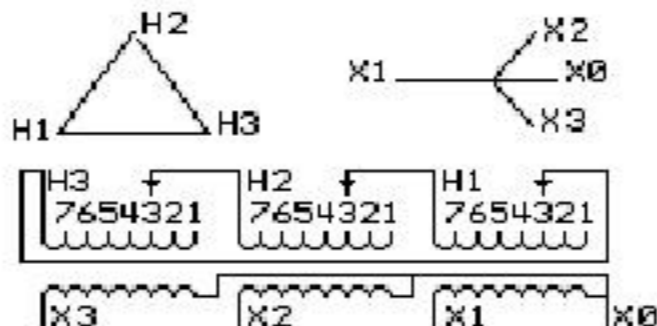
Catalog Number  
**9T10A1004G32**

Type **QL**

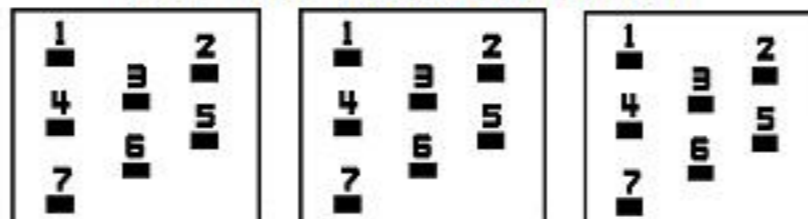
**75.0 KVA 60 HZ 3 PH 6.1 % IMP**

40 C AMB. 115 C RISE 220 C SYSTEM IS-19C

PRIMARY (H) 480 VOLTS (LINE-LINE)  
SECONDARY (X) 208 VOLTS (LINE-LINE)  
120 VOLTS (LINE-NEUTRAL)



### COIL TAP ARRANGEMENT



| JUMPER CONNECTION |       |
|-------------------|-------|
| TAP               | VOLTS |
| 1                 | 502   |
| 2                 | 491   |
| 3                 | 480   |
| 4                 | 469   |
| 5                 | 455   |
| 6                 | 444   |
| 7                 | 433   |

NET WGT  
603 LB  
273.5 Kg

60792  
UX74A  
NOG  
040116

INSPECTION  
&  
FINAL TEST  
N614!



LISTED 769G

Assembled in Mexico

ENCLOSURE TYPE 2 (IP20). OR RAINPROOF TYPE 3R (IP22) WHEN PROVIDED SHIELD 9T18Y1074G06

BEFORE HANDLING, INSTALLING AND OPERATING, SEE INSTRUCTION 475A667AAP001  
ALUMINUM CONDUCTOR PRIMARY: 10 KV BIL SECONDARY: 10 KV BIL

Outline:  
303B111GEUXP74A

**IN ACCORDANCE WITH NEC SECTION 450-9, ALLOW AT LEAST SIX INCHES  
CLEARANCE FOR VENTILATION. CHECK ADDITIONAL NEC AND LOCAL CODE**

**X3 H3 X2 H2 X1 H1 -**

Note: X0 at bottom

X3 H3 X2 H2 X1 H1

X3 H3 X2 H2 X1 H1

X0



\*2M000000\*



\*3M000000\*