



Transformer



1M000000

Catalog Number
9T10A1004G33

Type **QL**

75.0 KVA 60 HZ 3 PH 6.4 % IMP

40 C AMB. 115 C RISE 220 C SYSTEM IS-19C

PRIMARY (H) 480 VOLTS (LINE-LINE)
SECONDARY (X) 208 VOLTS (LINE-LINE)
120 VOLTS (LINE-NEUTRAL)

ELECTROSTATIC GROUND SHIELD IN EACH PHASE

ENCLOSURE TYPE 2 (IP20). OR RAINPROOF TYPE 3R (IP22) WHEN PROVIDED SHIELD 9T18Y1074G06

BEFORE HANDLING, INSTALLING AND OPERATING, SEE INSTRUCTION 475A667AAP001
ALUMINUM CONDUCTOR PRIMARY: 10 KV BIL SECONDARY: 10 KV BIL

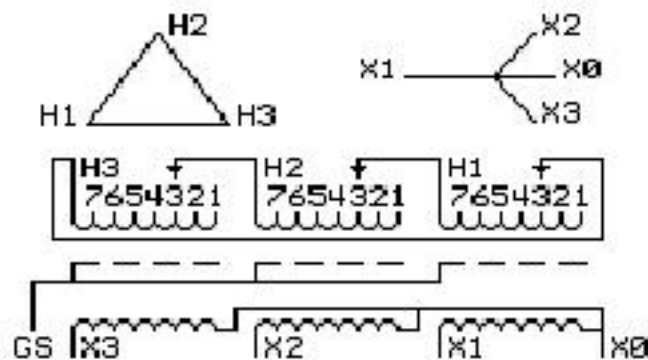
Outline:
303B111GEUXP74A

**IN ACCORDANCE WITH NEC SECTION 450-9, ALLOW AT LEAST SIX INCHES
CLEARANCE FOR VENTILATION. CHECK ADDITIONAL NEC AND LOCAL CODE**

GE Energy Industrial Solutions

NEMA CLASS AA DRY TYPE TRANSFORMER

Meets DOE 2016 efficiency



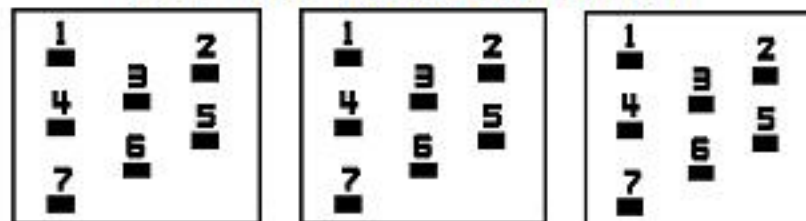
JUMPER CONNECTION	
TAP	VOLTS
1	502
2	491
3	480
4	469
5	455
6	444
7	433

NET WGT
603 LB
273.5 Kg

60488
UX74A
NOG
030116

INSPECTION
&
FINAL TEST
N610!

COIL TAP ARRANGEMENT



Assembled in Mexico

X3 H3 X2 H2 X1 H1 -

Note: X0 at bottom

X3 H3 X2 H2 X1 H1

X3 H3 X2 H2 X1 H1

X0



2M000000



3M000000