



Transformer



1M0000000

Catalog Number

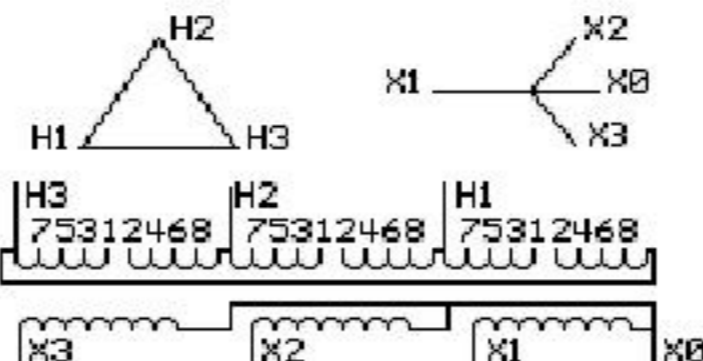
Type QL

9T10A1008G31

300.0 KVA 60 HZ 3 PH 5.1 % IMP

40 C AMB. 115 C RISE 220 C SYSTEM IS-19C

PRIMARY (H) 480 VOLTS (LINE-LINE)
SECONDARY (X) 208 VOLTS (LINE-LINE)
120 VOLTS (LINE-NEUTRAL)



| JUMPER CONNECTION | |
|-------------------|-------|
| TAP | VOLTS |
| 1-2 | 507 |
| 2-3 | 494 |
| 3-4 | 480 |
| 4-5 | 467 |
| 5-6 | 454 |
| 6-7 | 447 |
| 7-8 | 434 |

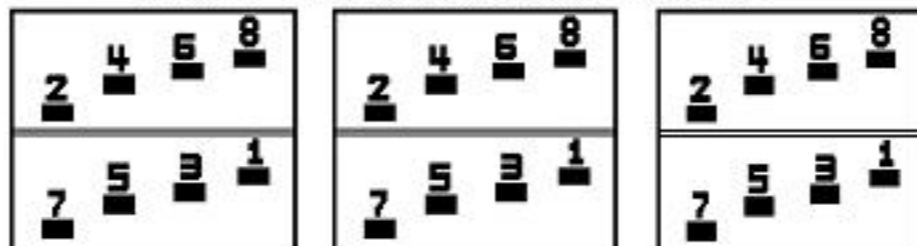
NET WGT
1985 LB
900.4 Kg

58991
DX78A

NOG
011216

INSPECTION
&
FINAL TEST
N603!

COIL TAP ARRANGEMENT



ENCLOSURE TYPE 2 (IP20) OR RAINPROOF TYPE 3R (IP22) WHEN PROVIDED SHIELD 9T18Y1077G06

Assembled in Mexico

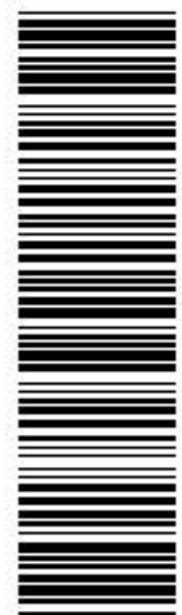
BEFORE HANDLING, INSTALLING AND OPERATING, SEE INSTRUCTION 475A667AAP001 Outline:
ALUMINUM CONDUCTOR PRIMARY: 10 KV BIL SECONDARY: 10 KV BIL 303B112GEDXP78A

IN ACCORDANCE WITH NEC SECTION 450-9, ALLOW AT LEAST SIX INCHES CLEARANCE FOR VENTILATION. CHECK ADDITIONAL NEC AND LOCAL CODE

GE Energy Industrial Solutions

NEMA CLASS AA DRY TYPE TRANSFORMER

Meets DOE 2016 efficiency



2M0000000



3M0000000