



# Transformer



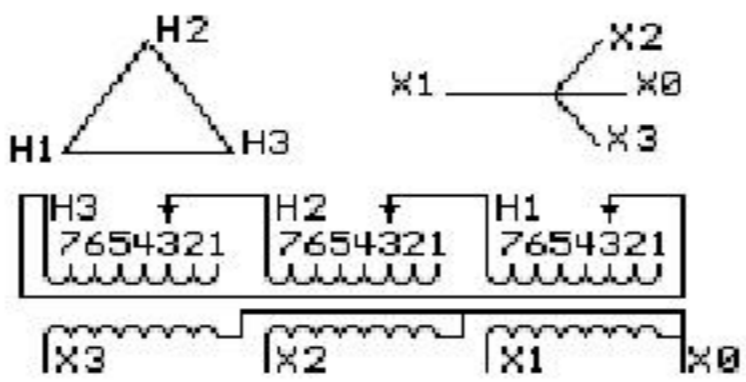
\*1M0000000\*

Catalog Number **9T10A1022** Type QL

**30.0 KVA 60 HZ 3 PH 5% IMP**

40 C AMB. 150 C RISE 220 C SYSTEM IS-19C

PRIMARY (H) 480 VOLTS (LINE-LINE)  
SECONDARY (X) 220 VOLTS (LINE-LINE)  
127 VOLTS (LINE-NEUTRAL)

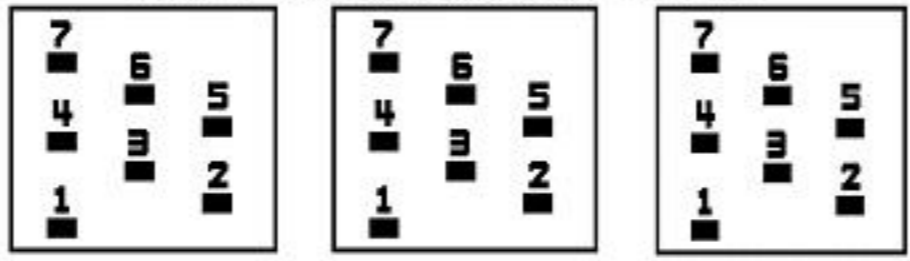


JUMPER CONNECTION TAP	VOLTS
1	504
2	492
3	480
4	468
5	456
6	444
7	431

NET WGT  
330 LB  
149.7 Kg  
  
58592  
UX72A  
NOG  
121015

INSPECTION & FINAL TEST N550!

### COIL TAP ARRANGEMENT



ENCLOSURE TYPE 2 (IP20) OR RAINPROOF TYPE 3R (IP22) WHEN PROVIDED SHIELD 9T18Y1072G06

Assembled in Mexico

BEFORE HANDLING, INSTALLING AND OPERATING, SEE INSTRUCTION 475A667AAP001  
ALUMINUM CONDUCTOR PRIMARY: 10 KV BIL SECONDARY: 10 KV BIL Outline: 303B111GEUXP72A

X3 H3 X2 H2 X1 H1 X0

IN ACCORDANCE WITH NEC SECTION 450-9, ALLOW AT LEAST SIX INCHES CLEARANCE FOR VENTILATION. CHECK ADDITIONAL NEC AND LOCAL CODE

Note: standard

X0  
X1 H1  
X2 H2  
X3 H3  
X1 H1  
X2 H2  
X3 H3  
X0

