



Transformer



1M000000

Catalog Number

9T10A1022G03

Type QL

30.0 KVA 60 HZ 3 PH 5.2 % IMP

40 C AMB. 150 C RISE 220 C SYSTEM IS-19C

PRIMARY (H) 480 VOLTS (LINE-LINE)
SECONDARY (X) 220 VOLTS (LINE-LINE)
127 VOLTS (LINE-NEUTRAL)

ELECTROSTATIC GROUND SHIELD IN EACH PHASE

ENCLOSURE TYPE 2 (IP20). OR RAINPROOF TYPE 3R (IP22) WHEN PROVIDED SHIELD 9T18Y1072G06

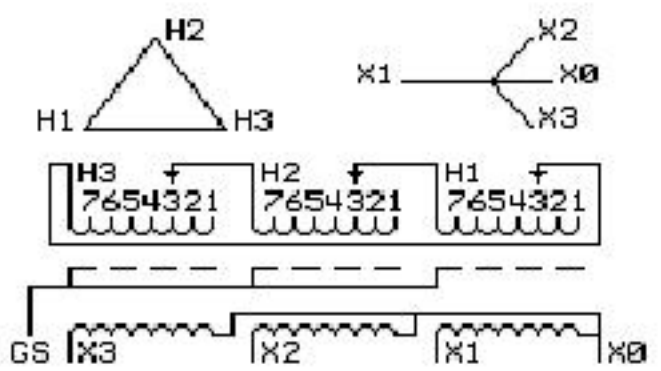
BEFORE HANDLING, INSTALLING AND OPERATING, SEE INSTRUCTION 475A667AAP001
ALUMINUM CONDUCTOR PRIMARY: 10 KV BIL SECONDARY: 10 KV BIL Outline: 303B111GEUXP72A

IN ACCORDANCE WITH NEC SECTION 450-9, ALLOW AT LEAST SIX INCHES CLEARANCE FOR VENTILATION. CHECK ADDITIONAL NEC AND LOCAL CODE

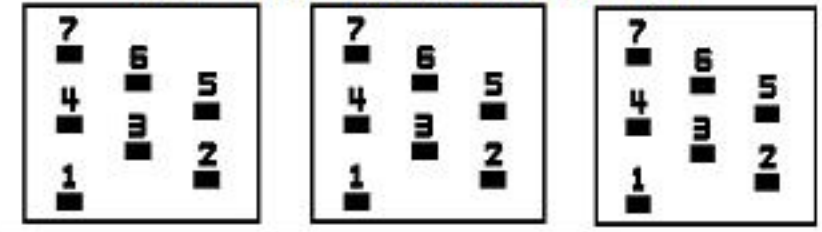
GE Energy Industrial Solutions

NEMA CLASS AA DRY TYPE TRANSFORMER

Meets DOE 2016 efficiency



COIL TAP ARRANGEMENT



JUMPER CONNECTION	
TAP	VOLTS
1	504
2	492
3	480
4	468
5	456
6	444
7	431

NET WGT
330 LB
149.7 Kg

60363
UX72A
NOG
021516

INSPECTION
&
FINAL TEST
N608!



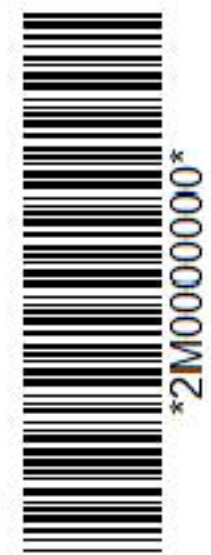
Assembled in Mexico

X3 H3 X2 H2 X1 H1 X0

Note: standard

X0
X1
H1
X1
H1
X2
H2
X2
H2
X3
H3

X0
X1
H1
X1
H1
X2
H2
X2
H2
X3
H3



2M000000



3M000000