



# Transformer



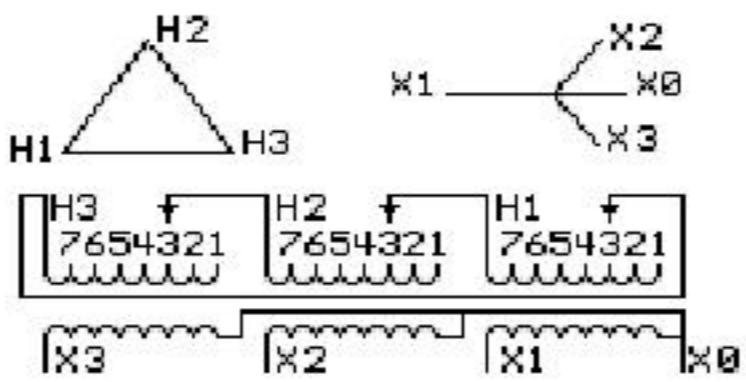
\*1M0000000\*

Catalog Number **9T10A1024** Type **QL**

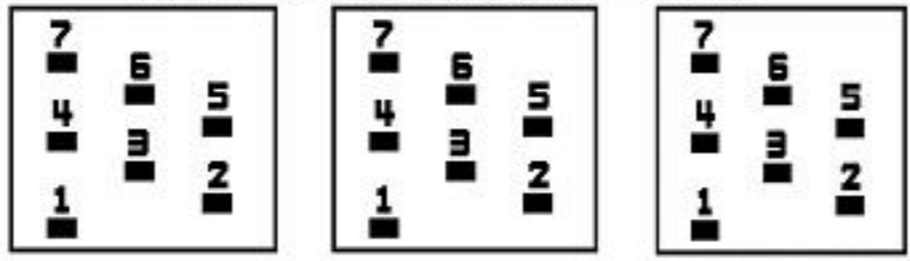
**75.0 KVA 60 HZ 3 PH 5.2 % IMP**

40 C AMB. 150 C RISE 220 C SYSTEM IS-19C

PRIMARY (H) 480 VOLTS (LINE-LINE)  
SECONDARY (X) 220 VOLTS (LINE-LINE)  
127 VOLTS (LINE-NEUTRAL)



### COIL TAP ARRANGEMENT



JUMPER CONNECTION TAP	VOLTS
1	504
2	494
3	480
4	468
5	457
6	443
7	432

NET WGT  
561 LB  
254.5 Kg

59150  
UY74A  
NOG  
020116

INSPECTION & FINAL TEST N606!



ENCLOSURE TYPE 2 (IP20). OR RAINPROOF TYPE 3R (IP22) WHEN PROVIDED SHIELD 9T18Y1074G06

Assembled in Mexico

BEFORE HANDLING, INSTALLING AND OPERATING, SEE INSTRUCTION 475A667AAP001  
ALUMINUM CONDUCTOR PRIMARY: 10 KV BIL SECONDARY: 10 KV BIL Outline: 303B111GEUYP74A

X3 H3 X2 H2 X1 H1 -

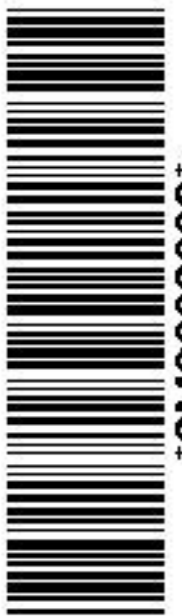
IN ACCORDANCE WITH NEC SECTION 450-9, ALLOW AT LEAST SIX INCHES CLEARANCE FOR VENTILATION. CHECK ADDITIONAL NEC AND LOCAL CODE

Note: X0 at bottom

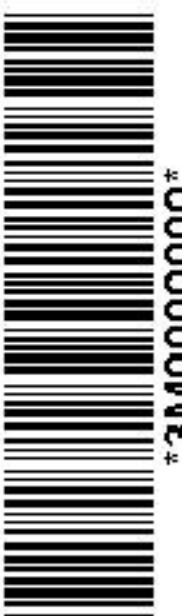
X3 H3 X2 H2 X1 H1

X3 H3 X2 H2 X1 H1

X0



\*2M0000000\*



\*3M0000000\*