



# Transformer



\*1M0000000\*

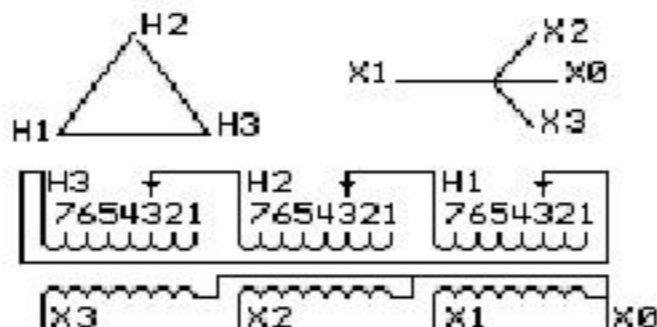
Catalog Number

9T10A1043

Type QL

45.0 KVA 60 HZ 3 PH 3.7 % IMP

40 C AMB. 150 C RISE 220 C SYSTEM IS-19C



JUMPER CONNECTION	
TAP	VOLTS
1	504
2	492
3	480
4	468
5	456
6	444
7	432

NET WGT  
444 LB  
201.4 Kg

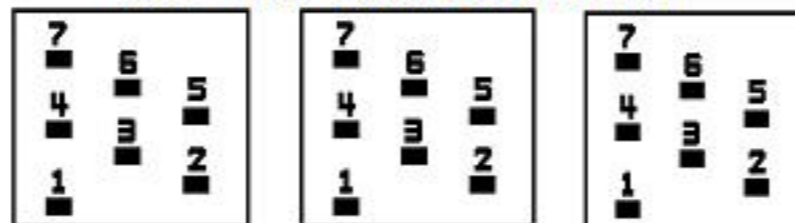
60785  
UX73A

NOG  
040116

INSPECTION  
&  
FINAL TEST  
N614!

PRIMARY (H) 480 VOLTS (LINE-LINE)  
 SECONDARY (X) 230 VOLTS (LINE-LINE)  
 133 VOLTS (LINE-NEUTRAL)

### COIL TAP ARRANGEMENT



LISTED 769G

ENCLOSURE TYPE 2 (IP20). OR RAINPROOF TYPE 3R (IP22) WHEN PROVIDED SHIELD 9T18Y1072G06

Assembled in Mexico

BEFORE HANDLING, INSTALLING AND OPERATING, SEE INSTRUCTION 475A667AAP001  
ALUMINUM CONDUCTOR PRIMARY: 10 KV BIL SECONDARY: 10 KV BIL

Outline:  
303B111GEUXP73A

X3 H3 X2 H2 X1 H1 X0

IN ACCORDANCE WITH NEC SECTION 450-9, ALLOW AT LEAST SIX INCHES  
CLEARANCE FOR VENTILATION. CHECK ADDITIONAL NEC AND LOCAL CODE

Note: standard

X0  
X1  
H1  
X1  
H1  
X2  
H2  
X2  
H2  
X3  
H3

X0  
X1  
H1  
X1  
H1  
X2  
H2  
X2  
H2  
X3  
H3



\*2M0000000\*



\*3M0000000\*