



# Transformer



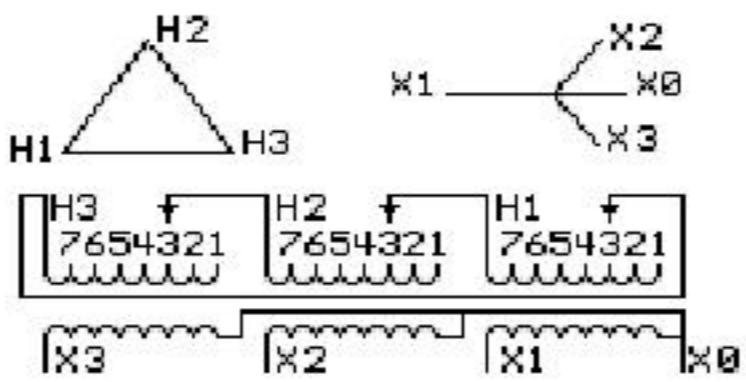
\*1M0000000\*

Catalog Number **9T10A1051** Type **QL**

**15.0 KVA 60 HZ 3 PH 4.1 % IMP**

40 C AMB. 150 C RISE 220 C SYSTEM IS-19C

PRIMARY (H) 480 VOLTS (LINE-LINE)  
SECONDARY (X) 240 VOLTS (LINE-LINE)  
139 VOLTS (LINE-NEUTRAL)



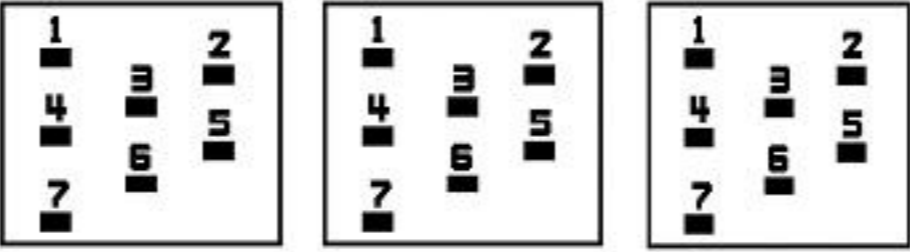
JUMPER CONNECTION	
TAP	VOLTS
1	504
2	491
3	480
4	468
5	456
6	443
7	432

NET WGT  
231 LB  
104.8 Kg

58985  
UX71A  
NOG  
010916

INSPECTION  
&  
FINAL TEST  
N602!

### COIL TAP ARRANGEMENT



ENCLOSURE TYPE 2 (IP20) OR RAINPROOF TYPE 3R (IP22) WHEN PROVIDED SHIELD 9T18Y1071G06

Assembled in Mexico

BEFORE HANDLING, INSTALLING AND OPERATING, SEE INSTRUCTION 475A667AAP001  
ALUMINUM CONDUCTOR PRIMARY: 10 KV BIL SECONDARY: 10 KV BIL Outline: 303B111GEUXP71A

**X3 H3 X2 H2 X1 H1 X0**

IN ACCORDANCE WITH NEC SECTION 450-9, ALLOW AT LEAST SIX INCHES CLEARANCE FOR VENTILATION. CHECK ADDITIONAL NEC AND LOCAL CODE

Note: standard

X0  
X1  
X2  
X3  
H1  
H2  
H3  
X0  
X1  
X2  
X3  
H1  
H2  
H3  
X0

