



Transformer



1M0000000

Catalog Number

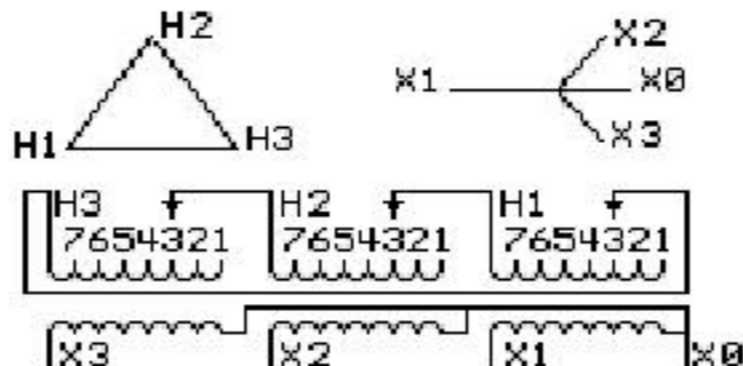
Type QL

9T10A1072

30.0 KVA 60 HZ 3 PH 5.5 % IMP

40 C AMB. 150 C RISE 220 C SYSTEM IS-19C

PRIMARY (H) 480 VOLTS (LINE-LINE)
SECONDARY (X) 380 VOLTS (LINE-LINE)
219 VOLTS (LINE-NEUTRAL)



JUMPER CONNECTION	
TAP	VOLTS
1	505
2	493
3	480
4	469
5	457
6	445
7	433

NET WGT
330 LB
149.7 Kg

58598

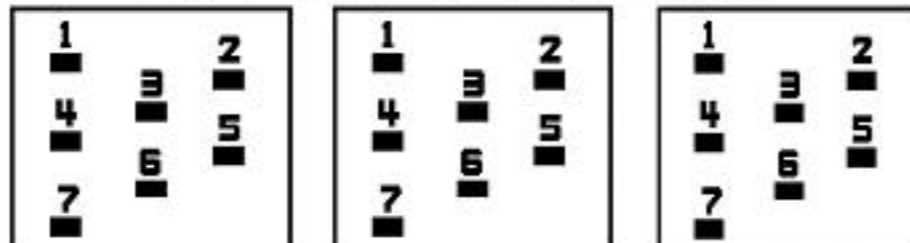
UX72A

NOG

121015

INSPECTION
&
FINAL TEST
N550!

COIL TAP ARRANGEMENT



ENCLOSURE TYPE 2 (IP20). OR RAINPROOF TYPE 3R (IP22) WHEN PROVIDED SHIELD 9T18Y1072G06

Assembled in Mexico

BEFORE HANDLING, INSTALLING AND OPERATING, SEE INSTRUCTION 475A667AAP001
ALUMINUM CONDUCTOR PRIMARY: 10 KV BIL SECONDARY: 10 KV BIL

Outline:
303B111GEUXP72A

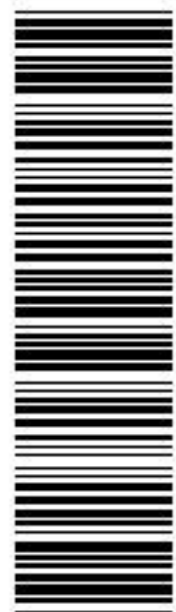
X3 H3 X2 H2 X1 H1 X0

IN ACCORDANCE WITH NEC SECTION 450-9, ALLOW AT LEAST SIX INCHES
CLEARANCE FOR VENTILATION. CHECK ADDITIONAL NEC AND LOCAL CODE

Note: standard

X0
X1
H1
-
X2
H2
X3
H3

X0
X1
H1
-
X2
H2
X3
H3



2M0000000



3M0000000