



Transformer



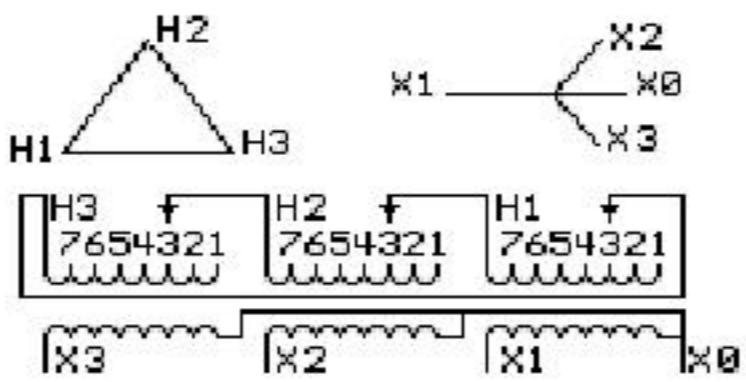
1M0000000

Catalog Number **9T10A1073** Type **QL**

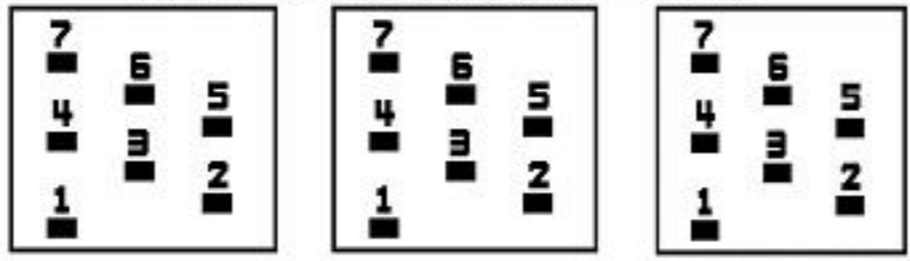
45.0 KVA 60 HZ 3 PH 3.2 % IMP

40 C AMB. 150 C RISE 220 C SYSTEM IS-19C

PRIMARY (H) 480 VOLTS (LINE-LINE)
SECONDARY (X) 380 VOLTS (LINE-LINE)
219 VOLTS (LINE-NEUTRAL)



COIL TAP ARRANGEMENT



JUMPER CONNECTION TAP	VOLTS
1	505
2	492
3	480
4	469
5	455
6	445
7	432

NET WGT
444 LB
201.4 Kg

58708
UX73A
NOG
121415

INSPECTION & FINAL TEST N551!



ENCLOSURE TYPE 2 (IP20). OR RAINPROOF TYPE 3R (IP22) WHEN PROVIDED SHIELD 9T18Y1072G06

Assembled in Mexico

BEFORE HANDLING, INSTALLING AND OPERATING, SEE INSTRUCTION 475A667AAP001
ALUMINUM CONDUCTOR PRIMARY: 10 KV BIL SECONDARY: 10 KV BIL Outline: 303B111GEUXP73A

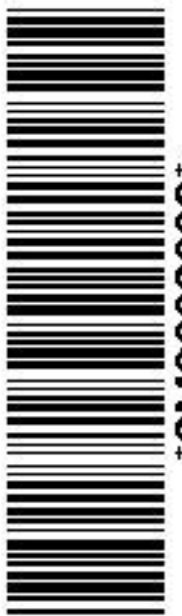
X3 H3 X2 H2 X1 H1 X0

IN ACCORDANCE WITH NEC SECTION 450-9, ALLOW AT LEAST SIX INCHES CLEARANCE FOR VENTILATION. CHECK ADDITIONAL NEC AND LOCAL CODE

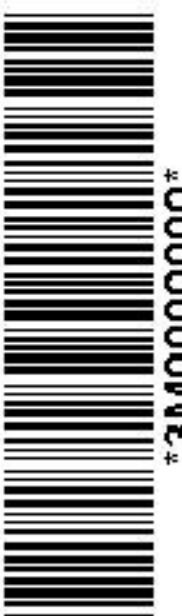
Note: standard

X0
X1
H1
-
X2
H2
X3
H3

X0
X1
H1
-
X2
H2
X3
H3



2M0000000



3M0000000