



# Transformer



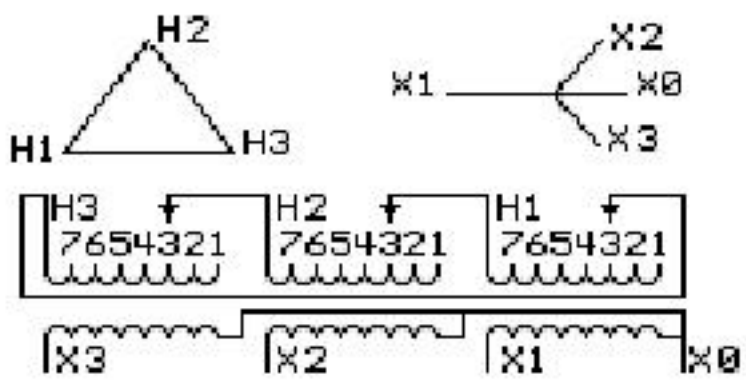
\*1M0000000\*

Catalog Number **9T10A1081** Type **QL**

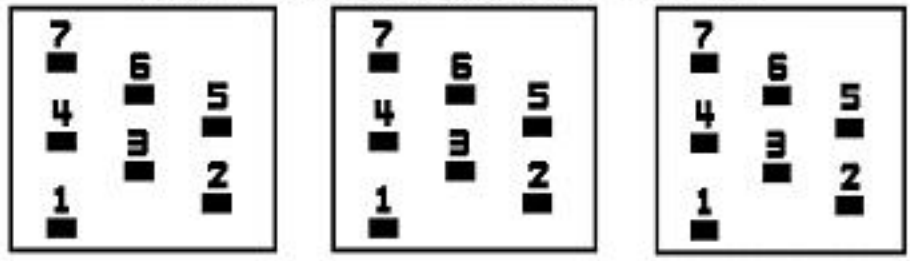
**15.0 KVA 60 HZ 3 PH 4.3 % IMP**

40 C AMB. 150 C RISE 220 C SYSTEM IS-19C

PRIMARY (H) 480 VOLTS (LINE-LINE)  
SECONDARY (X) 400 VOLTS (LINE-LINE)  
231 VOLTS (LINE-NEUTRAL)



### COIL TAP ARRANGEMENT



JUMPER CONNECTION TAP	VOLTS
1	504
2	491
3	480
4	468
5	456
6	443
7	432

NET WGT  
231 LB  
104.8 Kg  
  
58661  
UX71A  
NOG  
121315

INSPECTION & FINAL TEST N551!



ENCLOSURE TYPE 2 (IP20). OR RAINPROOF TYPE 3R (IP22) WHEN PROVIDED SHIELD 9T18Y1071G06

Assembled in Mexico

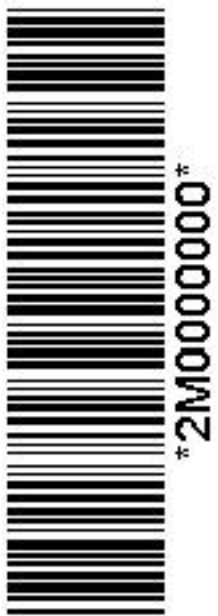
BEFORE HANDLING, INSTALLING AND OPERATING, SEE INSTRUCTION 475A667AAP001  
ALUMINUM CONDUCTOR PRIMARY: 10 KV BIL SECONDARY: 10 KV BIL Outline: 303B111GEUXP71A

X3 H3 X2 H2 X1 H1 X0

IN ACCORDANCE WITH NEC SECTION 450-9, ALLOW AT LEAST SIX INCHES CLEARANCE FOR VENTILATION. CHECK ADDITIONAL NEC AND LOCAL CODE

Note: standard

X0  
X1 H1  
X1 H1  
X2 H2  
X2 H2  
X3 H3  
X3 H3  
X0  
X0



\*2M0000000\*



\*3M0000000\*