



# Transformer



\*1M0000000\*

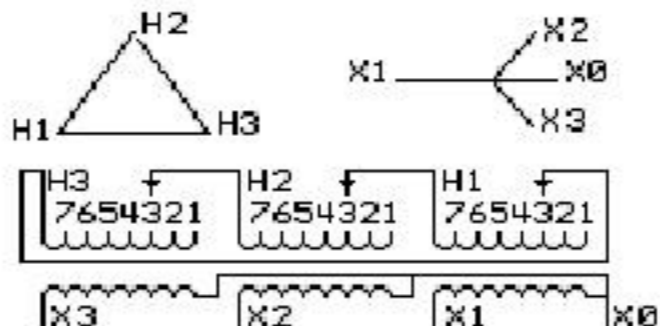
X0  
X1 H1  
X2 H2  
X3 H3

Catalog Number  
**9T10A1081G31**

Type **QL**

**15.0 KVA 60 HZ 3 PH 4 % IMP**

40 C AMB. 115 C RISE 220 C SYSTEM IS-19C



JUMPER CONNECTION	
TAP	VOLTS
1	504
2	491
3	480
4	468
5	456
6	443
7	432

NET WGT  
231 LB  
104.8 Kg

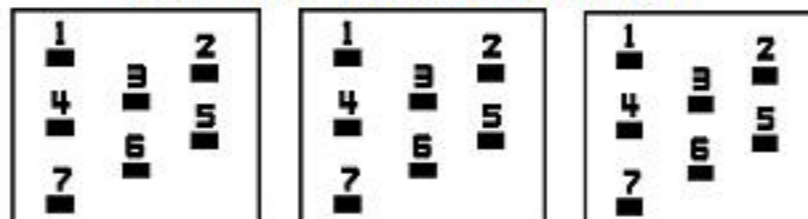
60489  
UX71A

NOG  
030116

INSPECTION  
&  
FINAL TEST  
N610!

PRIMARY (H) 480 VOLTS (LINE-LINE)  
 SECONDARY (X) 400 VOLTS (LINE-LINE)  
 231 VOLTS (LINE-NEUTRAL)

### COIL TAP ARRANGEMENT



ENCLOSURE TYPE 2 (IP20). OR RAINPROOF TYPE 3R (IP22) WHEN PROVIDED SHIELD 9T18Y1071G06

Assembled in Mexico

BEFORE HANDLING, INSTALLING AND OPERATING, SEE INSTRUCTION 475A667AAP001  
ALUMINUM CONDUCTOR PRIMARY: 10 KV BIL SECONDARY: 10 KV BIL

Outline:  
303B111GEUXP71A

X3 H3 X2 H2 X1 H1 X0

**IN ACCORDANCE WITH NEC SECTION 450-9, ALLOW AT LEAST SIX INCHES  
CLEARANCE FOR VENTILATION. CHECK ADDITIONAL NEC AND LOCAL CODE**

Note: standard



\*2M0000000\*



\*3M0000000\*