



# Transformer



\*1M0000000\*

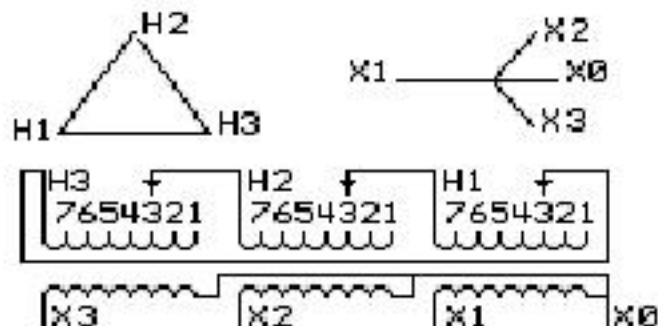
Catalog Number

9T10A1082

Type QL

30.0 KVA 60 HZ 3 PH 4.9 % IMP

40 C AMB. 150 C RISE 220 C SYSTEM IS-19C



JUMPER CONNECTION	
TAP	VOLTS
1	504
2	491
3	480
4	468
5	456
6	443
7	432

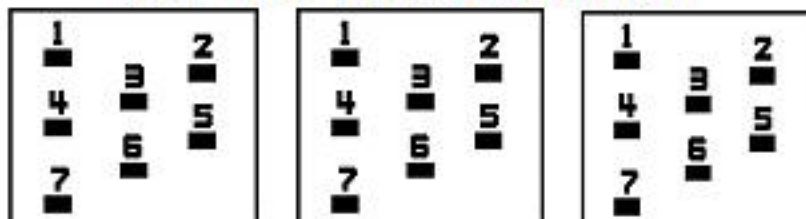
NET WGT  
330 LB  
149.7 Kg

60238  
UX72A  
NOG  
020416

INSPECTION  
&  
FINAL TEST  
N606!

PRIMARY (H) 480 VOLTS (LINE-LINE)  
 SECONDARY (X) 400 VOLTS (LINE-LINE)  
 231 VOLTS (LINE-NEUTRAL)

### COIL TAP ARRANGEMENT



ENCLOSURE TYPE 2 (IP20). OR RAINPROOF TYPE 3R (IP22) WHEN PROVIDED SHIELD 9T18Y1072G06

Assembled in Mexico

BEFORE HANDLING, INSTALLING AND OPERATING, SEE INSTRUCTION 475A667AAP001  
ALUMINUM CONDUCTOR PRIMARY: 10 KV BIL SECONDARY: 10 KV BIL

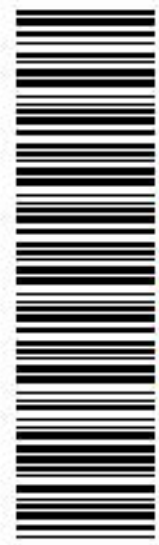
Outline:  
303B111GEUXP72A

X3 H3 X2 H2 X1 H1 X0

IN ACCORDANCE WITH NEC SECTION 450-9, ALLOW AT LEAST SIX INCHES  
CLEARANCE FOR VENTILATION. CHECK ADDITIONAL NEC AND LOCAL CODE

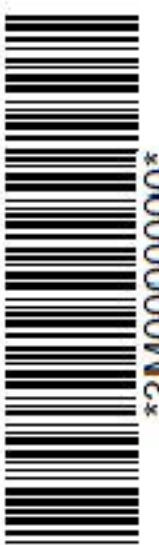
Note: standard

X0  
X1  
X2  
X3



\*2M0000000\*

X0  
X1  
X2  
X3



\*3M0000000\*