



# Transformer



\*1M0000000\*

Catalog Number **9T10A1082G03** Type **QL**

**30.0 KVA 60 HZ 3 PH 5.1 % IMP**

40 C AMB. 150 C RISE 220 C SYSTEM IS-19C

PRIMARY (H) 480 VOLTS (LINE-LINE)  
SECONDARY (X) 400 VOLTS (LINE-LINE)  
231 VOLTS (LINE-NEUTRAL)

ELECTROSTATIC GROUND SHIELD IN EACH PHASE

ENCLOSURE TYPE 2 (IP20) OR RAINPROOF TYPE 3R (IP22) WHEN PROVIDED SHIELD 9T18Y1072G06

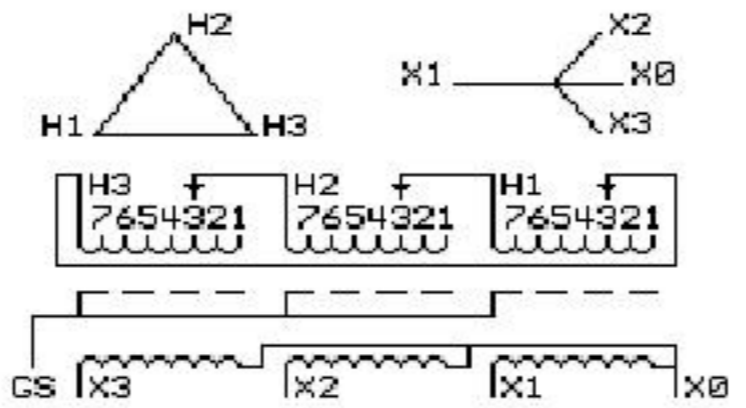
BEFORE HANDLING, INSTALLING AND OPERATING, SEE INSTRUCTION 475A667AAP001  
ALUMINUM CONDUCTOR PRIMARY: 10 KV BIL SECONDARY: 10 KV BIL Outline: 303B111GEUXP72A

IN ACCORDANCE WITH NEC SECTION 450-9, ALLOW AT LEAST SIX INCHES CLEARANCE FOR VENTILATION. CHECK ADDITIONAL NEC AND LOCAL CODE

GE Energy Industrial Solutions

NEMA CLASS AA DRY TYPE TRANSFORMER

Meets DOE 2016 efficiency



JUMPER CONNECTION	
TAP	VOLTS
1	504
2	491
3	480
4	468
5	456
6	443
7	432

NET WGT  
330 LB  
149.7 Kg  
  
58711  
UX72A  
NOG  
121415

INSPECTION & FINAL TEST N551!

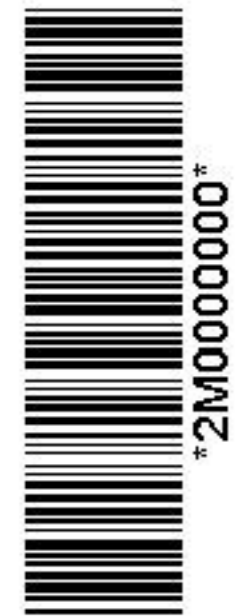


Assembled in Mexico

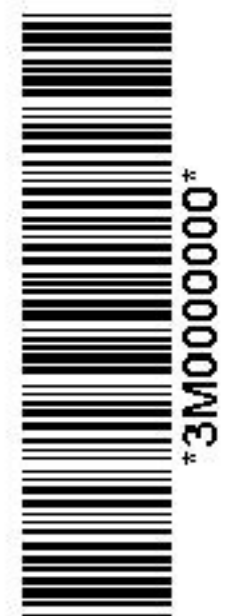
X3 H3 X2 H2 X1 H1 X0

Note: standard

X0  
X1 H1  
X2 H2  
X3 H3  
X1 H1  
X2 H2  
X3 H3  
X0



\*2M0000000\*



\*3M0000000\*