



Transformer



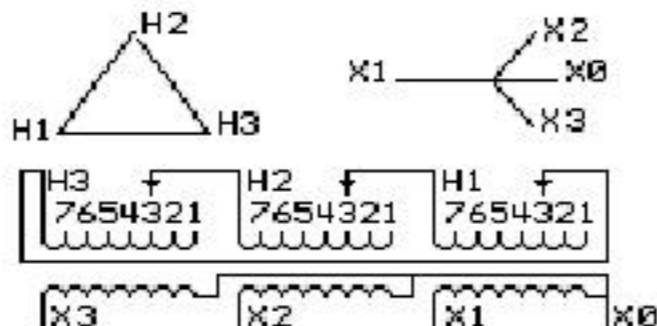
1M0000000

Catalog Number
9T10A1083G31

Type **QL**

45.0 KVA 60 HZ 3 PH 3.1 % IMP

40 C AMB. 115 C RISE 220 C SYSTEM IS-19C



JUMPER CONNECTION	
TAP	VOLTS
1	505
2	492
3	480
4	468
5	455
6	445
7	432

NET WGT
444 LB
201.4 Kg

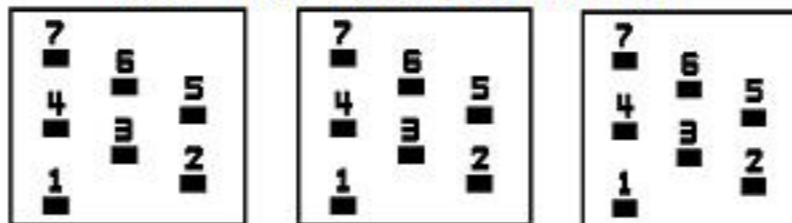
60380
UX73A

NOG
021616

INSPECTION
&
FINAL TEST
N608!

PRIMARY (H) 480 VOLTS (LINE-LINE)
 SECONDARY (X) 400 VOLTS (LINE-LINE)
 231 VOLTS (LINE-NEUTRAL)

COIL TAP ARRANGEMENT



ENCLOSURE TYPE 2 (IP20). OR RAINPROOF TYPE 3R (IP22) WHEN PROVIDED SHIELD 9T18Y1072G06

Assembled in Mexico

BEFORE HANDLING, INSTALLING AND OPERATING, SEE INSTRUCTION 475A667AAP001
ALUMINUM CONDUCTOR PRIMARY: 10 KV BIL SECONDARY: 10 KV BIL

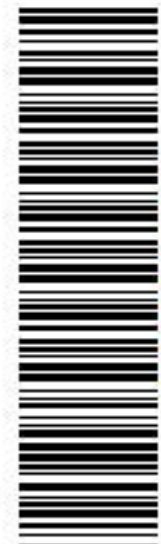
Outline:
303B111GEUXP73A

X3 H3 X2 H2 X1 H1 X0

**IN ACCORDANCE WITH NEC SECTION 450-9, ALLOW AT LEAST SIX INCHES
CLEARANCE FOR VENTILATION. CHECK ADDITIONAL NEC AND LOCAL CODE**

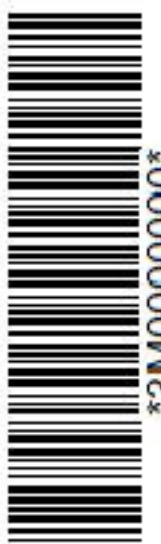
Note: standard

X0
X1
X2
X3



2M0000000

X0
X1
X2
X3



3M0000000