



# Transformer



\*1M000000\*

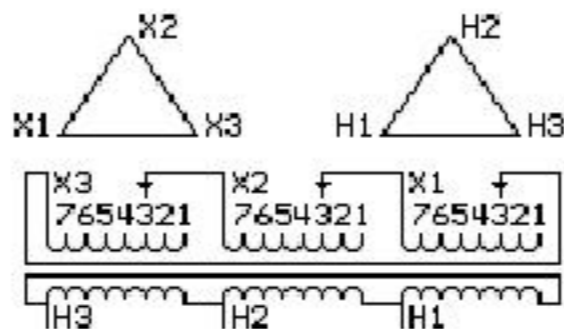
Catalog Number

**9T10A1111**

Type QL

**15.0 KVA 60 HZ 3 PH 4.7 % IMP**

40 C AMB. 150 C RISE 220 C SYSTEM IS-19C



JUMPER CONNECTION	
TAP	VOLTS
1	504
2	492
3	480
4	467
5	455
6	445
7	433

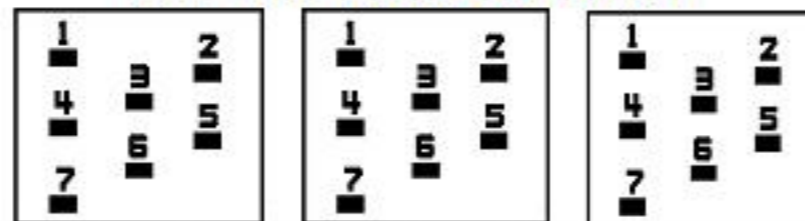
NET WGT  
231 LB  
104.8 Kg

60601  
UX71A  
NOG  
031816

INSPECTION  
&  
FINAL TEST  
N612!

PRIMARY (X) 480 VOLTS (LINE-LINE)  
SECONDARY (H) 575 VOLTS (LINE-LINE)

### COIL TAP ARRANGEMENT



H3 X3 H2 X2 H1 X1

H3 X3 H2 X2 H1 X1

ENCLOSURE TYPE 2 (IP20). OR RAINPROOF TYPE 3R (IP22) WHEN PROVIDED SHIELD 9T18Y1071G06

Assembled in Mexico

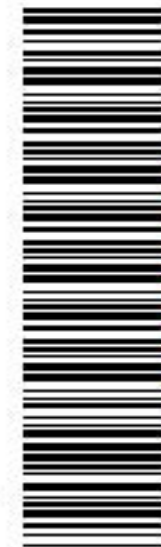
BEFORE HANDLING, INSTALLING AND OPERATING, SEE INSTRUCTION 475A667AAP001  
ALUMINUM CONDUCTOR PRIMARY: 10 KV BIL SECONDARY: 10 KV BIL

Outline:  
303B111GEUXP71A

H3 X3 H2 X2 H1 X1 -

IN ACCORDANCE WITH NEC SECTION 450-9, ALLOW AT LEAST SIX INCHES  
CLEARANCE FOR VENTILATION. CHECK ADDITIONAL NEC AND LOCAL CODE

Note: standard



\*2M000000\*



\*3M000000\*