



Transformer



1M000000

X0
X1 H1
X1 H1
X2 H2
X2 H2
X3 H3
X3 H3
X0
X0

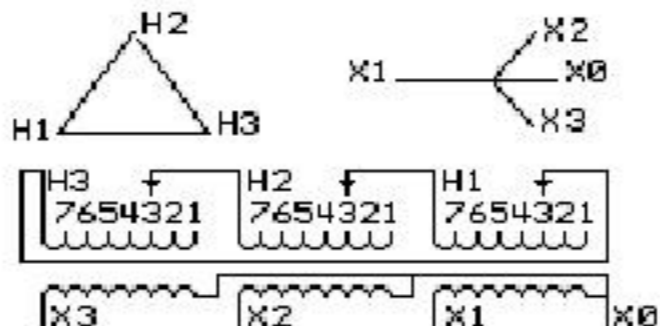
Catalog Number
9T10A1172G61

Type **QL**

30.0 KVA 60 HZ 3 PH 2.3 % IMP

40 C AMB. 80 C RISE 220 C SYSTEM IS-19C

Note: Design is based on 45.00KVA & 115C Rise 3.4% Imp.



JUMPER CONNECTION	
TAP	VOLTS
1	503
2	491
3	480
4	468
5	456
6	443
7	433

NET WGT
444 LB
201.4 Kg

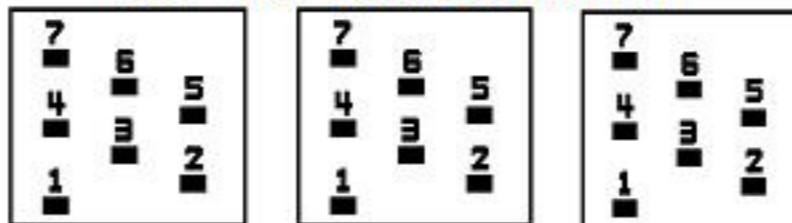
53766
UX73A

NOG
031516

INSPECTION
&
FINAL TEST
N612!

PRIMARY (H) 480 VOLTS (LINE-LINE)
 SECONDARY (X) 480 VOLTS (LINE-LINE)
 277 VOLTS (LINE-NEUTRAL)

COIL TAP ARRANGEMENT



ENCLOSURE TYPE 2 (IP20). OR RAINPROOF TYPE 3R (IP22) WHEN PROVIDED SHIELD 9T18Y1072G06

Assembled in Mexico

BEFORE HANDLING, INSTALLING AND OPERATING, SEE INSTRUCTION 475A667AAP001
ALUMINUM CONDUCTOR PRIMARY: 10 KV BIL SECONDARY: 10 KV BIL

Outline:
303B111GEUXP73A

X3 H3 X2 H2 X1 H1 X0

IN ACCORDANCE WITH NEC SECTION 450-9, ALLOW AT LEAST SIX INCHES
CLEARANCE FOR VENTILATION. CHECK ADDITIONAL NEC AND LOCAL CODE

Note: standard



2M000000



3M000000