



# Transformer



\*1M0000000\*

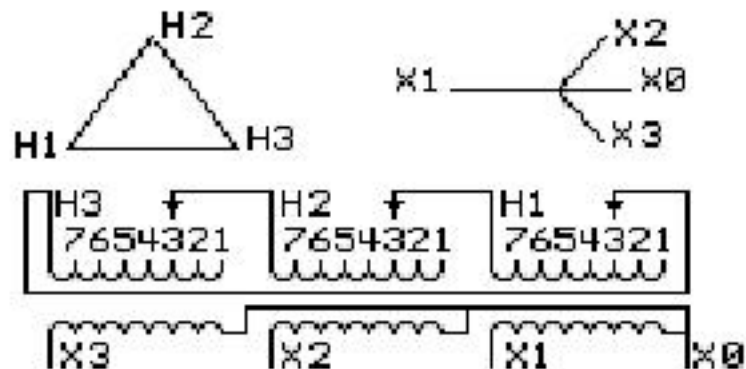
Catalog Number  
**9T10A1173G31**

Type QL

**45.0 KVA 60 HZ 3 PH 3.4 % IMP**

40 C AMB. 115 C RISE 220 C SYSTEM IS-19C

PRIMARY (H) 480 VOLTS (LINE-LINE)  
SECONDARY (X) 480 VOLTS (LINE-LINE)  
277 VOLTS (LINE-NEUTRAL)



JUMPER CONNECTION	
TAP	VOLTS
1	503
2	491
3	480
4	468
5	456
6	443
7	433

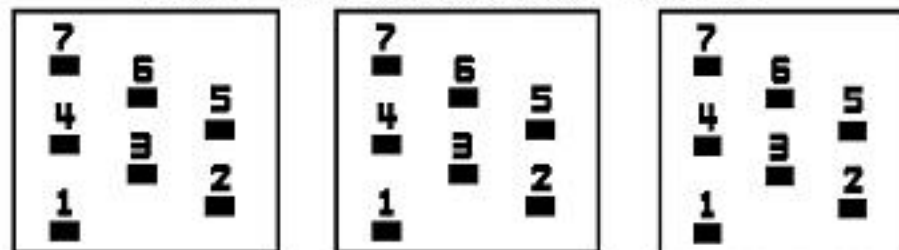
NET WGT  
444 LB  
201.4 Kg

58766  
UX73A

NOG  
121715

INSPECTION  
&  
FINAL TEST  
N551!

### COIL TAP ARRANGEMENT



ENCLOSURE TYPE 2 (IP20) OR RAINPROOF TYPE 3R (IP22) WHEN PROVIDED SHIELD 9T18Y1072G06

Assembled in Mexico

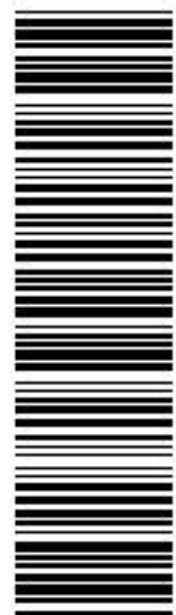
BEFORE HANDLING, INSTALLING AND OPERATING, SEE INSTRUCTION 475A667AAP001  
ALUMINUM CONDUCTOR PRIMARY: 10 KV BIL SECONDARY: 10 KV BIL Outline: 303B111GEUXP73A

**X3 H3 X2 H2 X1 H1 X0**

IN ACCORDANCE WITH NEC SECTION 450-9, ALLOW AT LEAST SIX INCHES  
CLEARANCE FOR VENTILATION. CHECK ADDITIONAL NEC AND LOCAL CODE

Note: standard

X0  
X1  
X2  
X3



\*2M0000000\*

X0  
X1  
X2  
X3



\*3M0000000\*