



Transformer



1M0000000

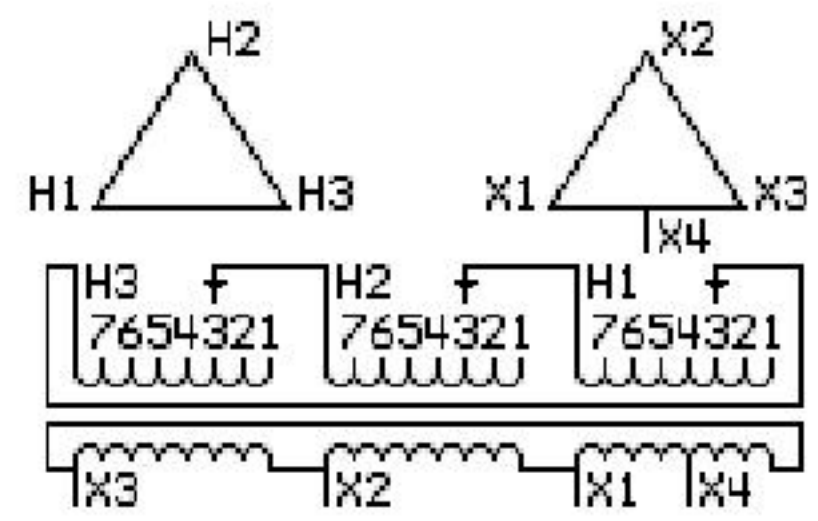
Catalog Number Type QL

9T10A1181

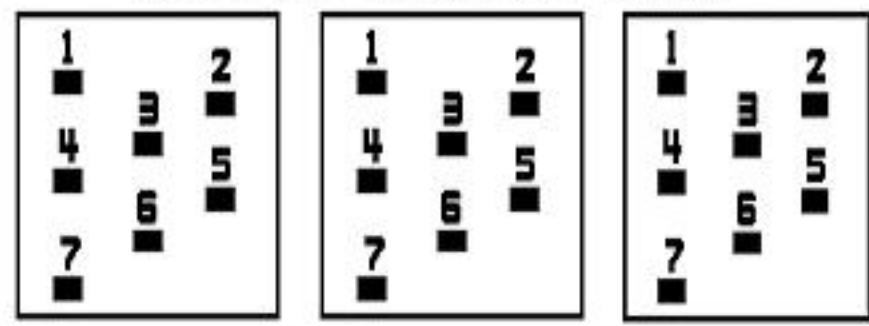
15.0 KVA 60 HZ 3 PH 4.7 % IMP

40 C AMB. 150 C RISE 220 C SYSTEM IS-19C

PRIMARY (H) 480 VOLTS (LINE-LINE)
SECONDARY (X) 240 VOLTS (LINE-LINE)
 120 VOLTS (1 PH MIDTHAP)



COIL TAP ARRANGEMENT



JUMPER CONNECTION	
TAP	VOLTS
1	504
2	492
3	480
4	468
5	456
6	443
7	431

NET WGT
231 LB
104.8 Kg

59005
UX71A
NOG
011416

INSPECTION
&
FINAL TEST
N603!



Assembled in Mexico

X3 H3 X2 H2 X1 H1 X4

- - - - -

Note: MID-TAP

ENCLOSURE TYPE 2 (IP20). OR RAINPROOF TYPE 3R (IP22) WHEN PROVIDED SHIELD 9T18Y1071 G06

REDUCED CAPACITY TAP RATED AT 5% OF 3 PH KVA

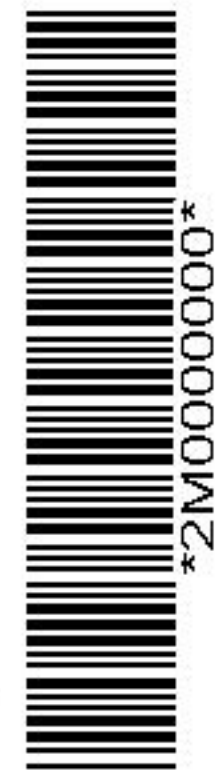
BEFORE HANDLING, INSTALLING AND OPERATING, SEE INSTRUCTION 475A667AAP001

Outline:
303B111GEU XP71A

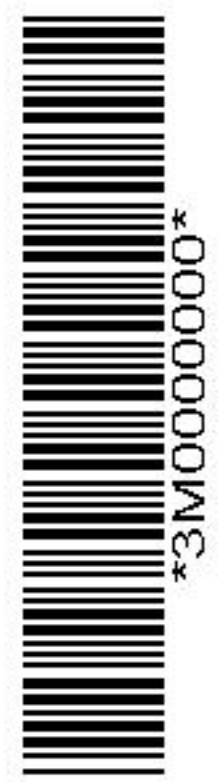
ALUMINUM CONDUCTOR PRIMARY: 10 KV BIL SECONDARY: 10 KV BIL

IN ACCORDANCE WITH NEC SECTION 450-9, ALLOW AT LEAST SIX INCHES
CLEARANCE FOR VENTILATION. CHECK ADDITIONAL NEC AND LOCAL CODE

X4
X1 H1
X1 H1
X1 H1
X2 H2
X2 H2
X2 H2
X3 H3
X3 H3
X3 H3
X4



2M0000000



3M0000000