



Transformer



1M000000

Catalog Number

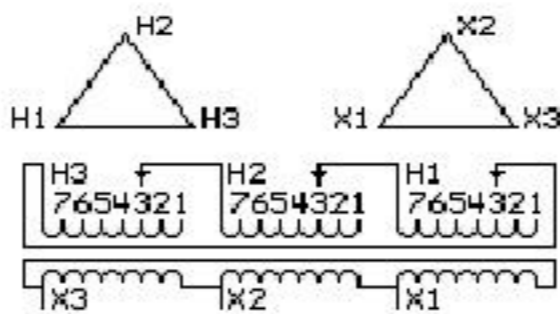
Type QL

9T10A1261

15.0 KVA 60 HZ 3 PH 3.9 % IMP

40 C AMB. 150 C RISE 220 C SYSTEM IS-19C

Note: Design is based on 15.00KVA & 115C Rise 3.7% Imp.



JUMPER CONNECTION	
TAP	VOLTS
1	504
2	491
3	480
4	468
5	456
6	443
7	433

NET WGT
231 LB
104.8 Kg

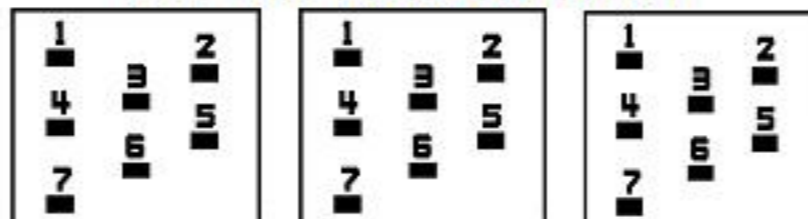
60538
UX71A

NOG
030816

INSPECTION
&
FINAL TEST
N611!

PRIMARY (H) 480 VOLTS (LINE-LINE)
SECONDARY (X) 230 VOLTS (LINE-LINE)

COIL TAP ARRANGEMENT



LISTED 769G

ENCLOSURE TYPE 2 (IP20). OR RAINPROOF TYPE 3R (IP22) WHEN PROVIDED SHIELD 9T18Y1071G06

Assembled in Mexico

BEFORE HANDLING, INSTALLING AND OPERATING, SEE INSTRUCTION 475A667AAP001
ALUMINUM CONDUCTOR PRIMARY: 10 KV BIL SECONDARY: 10 KV BIL

Outline:
303B111GEUXP71A

IN ACCORDANCE WITH NEC SECTION 450-9, ALLOW AT LEAST SIX INCHES
CLEARANCE FOR VENTILATION. CHECK ADDITIONAL NEC AND LOCAL CODE

X3 H3 X2 H2 X1 H1 -

Note: standard

X3 H3 X2 H2 X1 H1

X3 H3 X2 H2 X1 H1



2M000000



3M000000