



# Transformer



\*1M000000\*

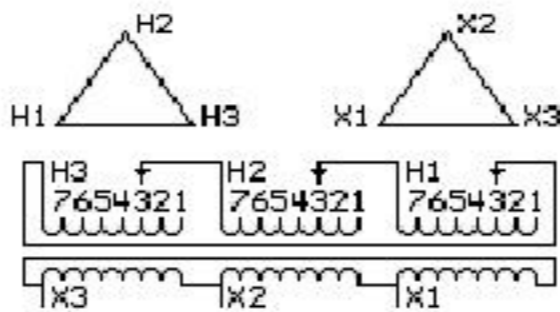
Catalog Number  
**9T10A1261G31**

Type **QL**

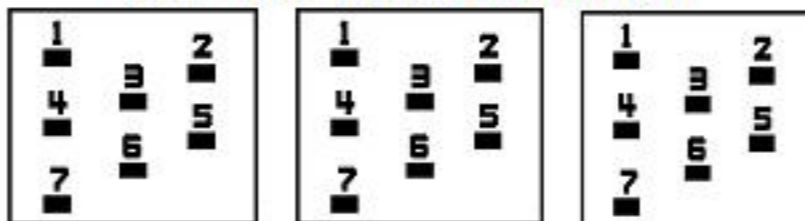
**15.0 KVA 60 HZ 3 PH 3.7 % IMP**

40 C AMB. 115 C RISE 220 C SYSTEM IS-19C

PRIMARY (H) 480 VOLTS (LINE-LINE)  
SECONDARY (X) 230 VOLTS (LINE-LINE)



### COIL TAP ARRANGEMENT



JUMPER CONNECTION	
TAP	VOLTS
1	504
2	491
3	480
4	468
5	456
6	443
7	433

NET WGT  
231 LB  
104.8 Kg

60538  
UX71A  
NOG  
030816

INSPECTION  
&  
FINAL TEST  
N611!



LISTED 769G

Assembled in Mexico

ENCLOSURE TYPE 2 (IP20). OR RAINPROOF TYPE 3R (IP22) WHEN PROVIDED SHIELD 9T18Y1071G06

BEFORE HANDLING, INSTALLING AND OPERATING, SEE INSTRUCTION 475A667AAP001  
ALUMINUM CONDUCTOR PRIMARY: 10 KV BIL SECONDARY: 10 KV BIL

Outline:  
303B111GEUXP71A

**IN ACCORDANCE WITH NEC SECTION 450-9, ALLOW AT LEAST SIX INCHES  
CLEARANCE FOR VENTILATION. CHECK ADDITIONAL NEC AND LOCAL CODE**

**X3 H3 X2 H2 X1 H1 -**

Note: standard

X3 H3 X2 H2 X1 H1

X3 H3 X2 H2 X1 H1



\*2M000000\*



\*3M000000\*