



Transformer



1M000000

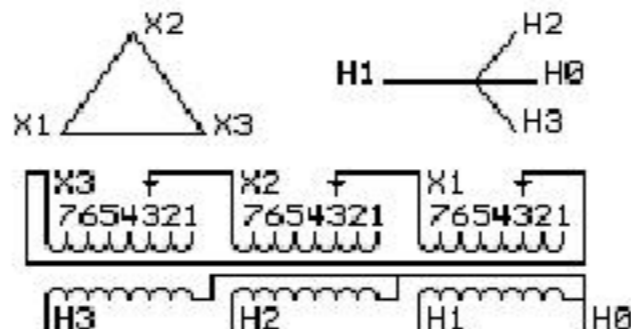
Catalog Number

9T10A1274

Type QL

75.0 KVA 60 HZ 3 PH 5.1 % IMP

40 C AMB. 150 C RISE 220 C SYSTEM IS-19C



JUMPER CONNECTION	
TAP	VOLTS
1	503
2	492
3	480
4	467
5	456
6	445
7	430

NET WGT
561 LB
254.5 Kg

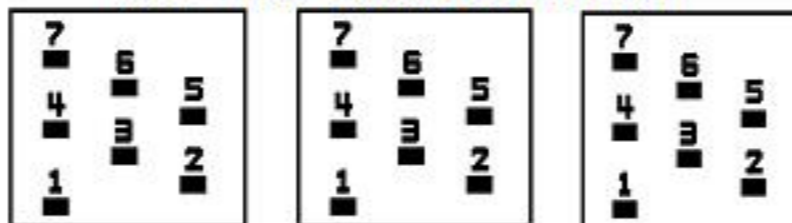
60568
LY74A

NOG
031516

INSPECTION
&
FINAL TEST
N612!

PRIMARY (X) 480 VOLTS (LINE-LINE)
 SECONDARY (H) 575 VOLTS (LINE-LINE)
 332 VOLTS (LINE-NEUTRAL)

COIL TAP ARRANGEMENT



LISTED 769G

ENCLOSURE TYPE 2 (IP20). OR RAINPROOF TYPE 3R (IP22) WHEN PROVIDED SHIELD 9T18Y1074G06

Assembled in Mexico

BEFORE HANDLING, INSTALLING AND OPERATING, SEE INSTRUCTION 475A667AAP001
ALUMINUM CONDUCTOR PRIMARY: 10 KV BIL SECONDARY: 10 KV BIL

Outline:
303B111GEUY74A

IN ACCORDANCE WITH NEC SECTION 450-9, ALLOW AT LEAST SIX INCHES
CLEARANCE FOR VENTILATION. CHECK ADDITIONAL NEC AND LOCAL CODE

H3 X3 H2 X2 H1 X1 -

Note: H0 at bottom

H3 X3 H2 X2 H1 X1

H3 X3 H2 X2 H1 X1

H0



2M000000



3M000000