



Transformer



1M000000

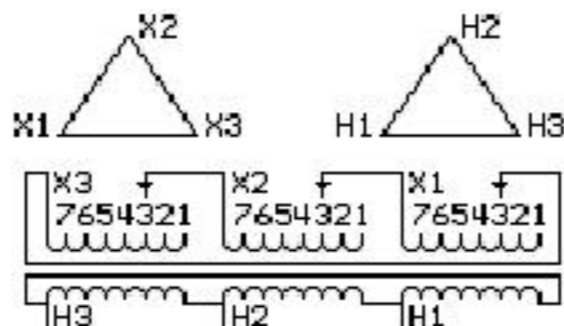
Catalog Number

Type QL

9T10A1313

45.0 KVA 60 HZ 3 PH 4.4 % IMP

40 C AMB. 150 C RISE 220 C SYSTEM IS-19C



JUMPER CONNECTION	
TAP	VOLTS
1	218
2	212
3	208
4	203
5	197
6	194
7	188

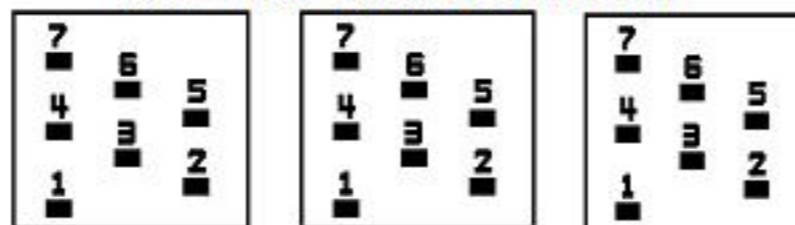
NET WGT
561 LB
254.5 Kg

60787
LY74A
NOG
040116

INSPECTION
&
FINAL TEST
N614!

PRIMARY (X) 208 VOLTS (LINE-LINE)
SECONDARY (H) 240 VOLTS (LINE-LINE)

COIL TAP ARRANGEMENT



LISTED 769G

ENCLOSURE TYPE 2 (IP20). OR RAINPROOF TYPE 3R (IP22) WHEN PROVIDED SHIELD 9T18Y1074G06

Assembled in Mexico

BEFORE HANDLING, INSTALLING AND OPERATING, SEE INSTRUCTION 475A667AAP001
ALUMINUM CONDUCTOR PRIMARY: 10 KV BIL SECONDARY: 10 KV BIL

Outline:
303B111GEUY74A

H3 X3 H2 X2 H1 X1 -

IN ACCORDANCE WITH NEC SECTION 450-9, ALLOW AT LEAST SIX INCHES
CLEARANCE FOR VENTILATION. CHECK ADDITIONAL NEC AND LOCAL CODE

Note: standard

H3 X3 H2 X2 H1 X1

H3 X3 H2 X2 H1 X1



2M000000



3M000000