



Transformer



1M0000000

H4
H1 X1
H1 X1
H2 X2
H2 X2
H3 X3
H3 X3
H4
H4

Catalog Number

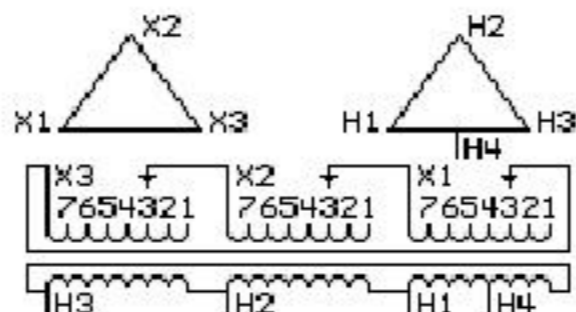
9T10A1321

Type QL

15.0 KVA 60 HZ 3 PH 3.7 % IMP

40 C AMB. 150 C RISE 220 C SYSTEM IS-19C

PRIMARY (X) 208 VOLTS (LINE-LINE)
 SECONDARY (H) 240 VOLTS (LINE-LINE)
 120 VOLTS (1 PH MIDTAP)



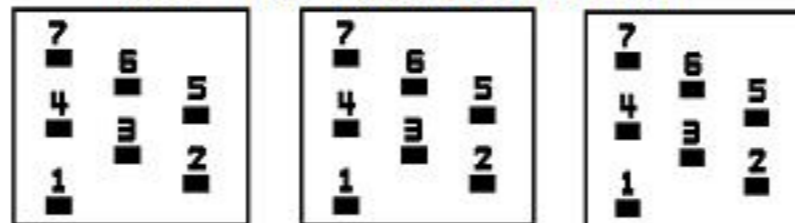
JUMPER CONNECTION	
TAP	VOLTS
1	218
2	214
3	208
4	203
5	197
6	193
7	187

NET WGT
231 LB
104.8 Kg

60768
UX71A
NOG
033016

INSPECTION
&
FINAL TEST
N614!

COIL TAP ARRANGEMENT



LISTED 769G

Assembled in Mexico

ENCLOSURE TYPE 2 (IP20). OR RAINPROOF TYPE 3R (IP22) WHEN PROVIDED SHIELD 9T18Y1071G06

REDUCED CAPACITY TAP RATED AT 5% OF 3 PH KVA

BEFORE HANDLING, INSTALLING AND OPERATING, SEE INSTRUCTION 475A667AAP001

ALUMINUM CONDUCTOR

PRIMARY: 10 KV BIL

SECONDARY: 10 KV BIL

Outline:

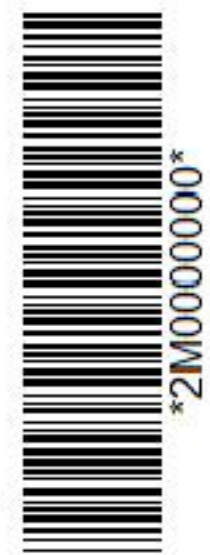
303B111GEUXP71A

H3 X3 H2 X2 H1 X1 H4

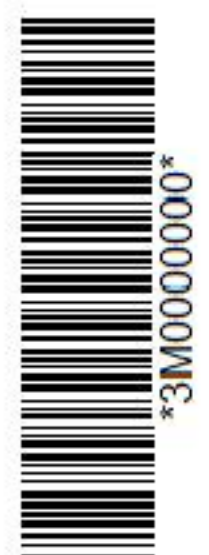
- - - - -

Note: MID-TAP

IN ACCORDANCE WITH NEC SECTION 450-9, ALLOW AT LEAST SIX INCHES CLEARANCE FOR VENTILATION. CHECK ADDITIONAL NEC AND LOCAL CODE



2M0000000



3M0000000