



# Transformer



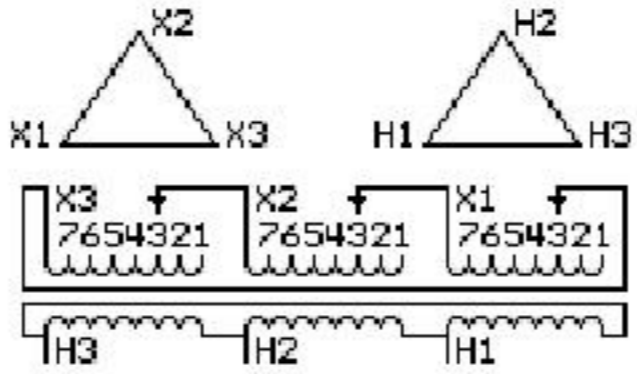
\*1M0000000\*

Catalog Number **9T10A1333** Type QL

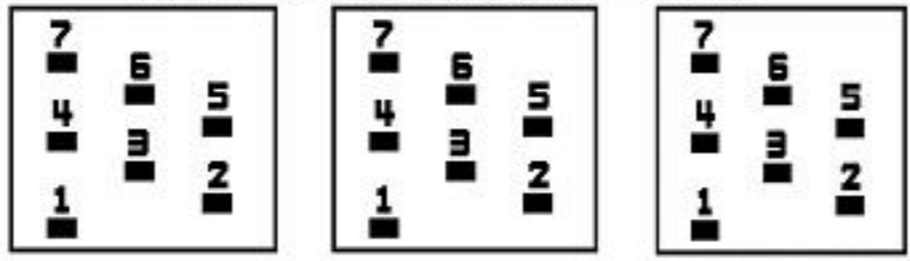
**45.0 KVA 60 HZ 3 PH 4.4 % IMP**

40 C AMB. 150 C RISE 220 C SYSTEM IS-19C

PRIMARY (X) 208 VOLTS (LINE-LINE)  
SECONDARY (H) 480 VOLTS (LINE-LINE)



### COIL TAP ARRANGEMENT



JUMPER CONNECTION	
TAP	VOLTS
1	218
2	212
3	208
4	203
5	197
6	194
7	188

NET WGT  
561 LB  
254.5 Kg

59162  
UY74A  
NOG  
020116

INSPECTION  
&  
FINAL TEST  
N606!



ENCLOSURE TYPE 2 (IP20) OR RAINPROOF TYPE 3R (IP22) WHEN PROVIDED SHIELD 9T18Y1074G06

Assembled in Mexico

BEFORE HANDLING, INSTALLING AND OPERATING, SEE INSTRUCTION 475A667AAP001  
ALUMINUM CONDUCTOR PRIMARY: 10 KV BIL SECONDARY: 10 KV BIL Outline: 303B111GEUYP74A

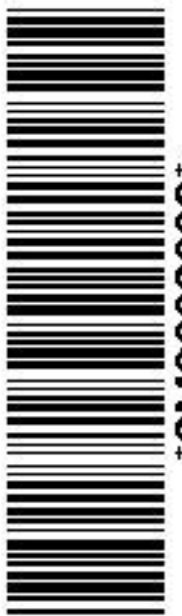
H3 X3 H2 X2 H1 X1 -

IN ACCORDANCE WITH NEC SECTION 450-9, ALLOW AT LEAST SIX INCHES CLEARANCE FOR VENTILATION. CHECK ADDITIONAL NEC AND LOCAL CODE

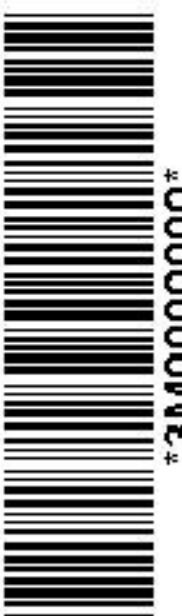
Note: standard

H3 X3 H2 X2 H1 X1

H3 X3 H2 X2 H1 X1



\*2M0000000\*



\*3M0000000\*