



Transformer



1M0000000

Catalog Number
9T10A1341G31

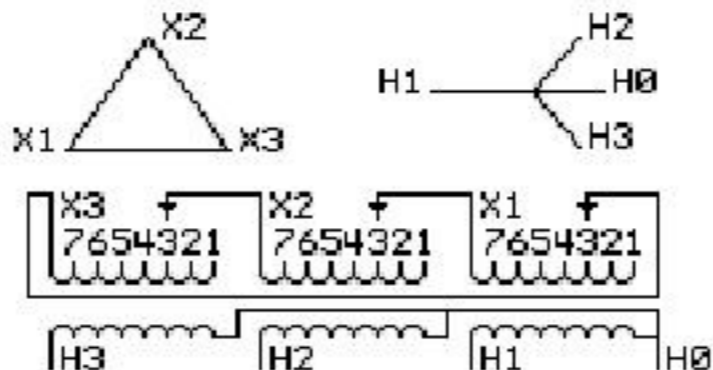
Type QL

15.0 KVA 60 HZ 3 PH 3.6 % IMP

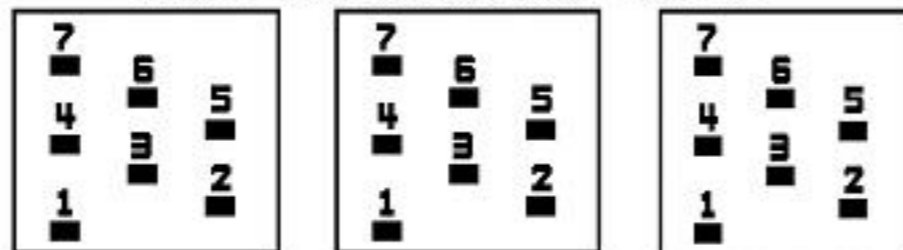
40 C AMB. 115 C RISE 220 C SYSTEM IS-19C

Note: Design is based on 15.00KVA & 150C Rise 3.8% Imp.

PRIMARY (X) 208 VOLTS (LINE-LINE)
SECONDARY (H) 480 VOLTS (LINE-LINE)
277 VOLTS (LINE-NEUTRAL)



COIL TAP ARRANGEMENT



JUMPER CONNECTION	
TAP	VOLTS
1	217
2	213
3	208
4	203
5	198
6	192
7	188

NET WGT
231 LB
104.8 Kg

59029

UX71A

NOG

020116

INSPECTION
&
FINAL TEST
N606!



ENCLOSURE TYPE 2 (IP20). OR RAINPROOF TYPE 3R (IP22) WHEN PROVIDED SHIELD 9T18Y1071G06

Assembled in Mexico

BEFORE HANDLING, INSTALLING AND OPERATING, SEE INSTRUCTION 475A667AAP001

Outline:

ALUMINUM CONDUCTOR

PRIMARY: 10 KV BIL

SECONDARY: 10 KV BIL

303B111GEUXP71A

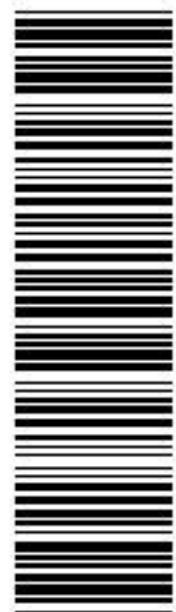
IN ACCORDANCE WITH NEC SECTION 450-9, ALLOW AT LEAST SIX INCHES
CLEARANCE FOR VENTILATION. CHECK ADDITIONAL NEC AND LOCAL CODE

H3 X3 H2 X2 H1 X1 H0

- - - - -

Note: standard

H0
H1
H1
H2
H2
H3



2M0000000

H0
H1
H1
H2
H2
H3



3M0000000