



# Transformer



\*1M000000\*

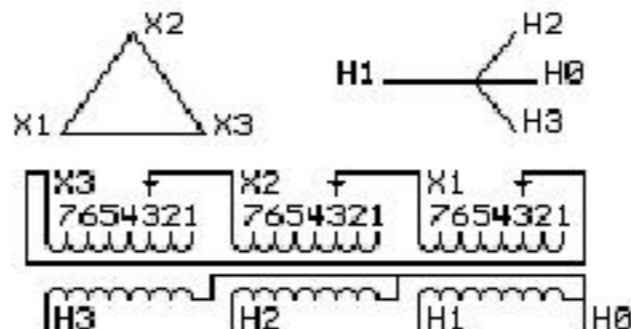
Catalog Number

9T10A1391

Type QL

15.0 KVA 60 HZ 3 PH 4.1 % IMP

40 C AMB. 150 C RISE 220 C SYSTEM IS-19C



JUMPER CONNECTION	
TAP	VOLTS
1	218
2	214
3	208
4	204
5	197
6	193
7	187

NET WGT  
231 LB  
104.8 Kg

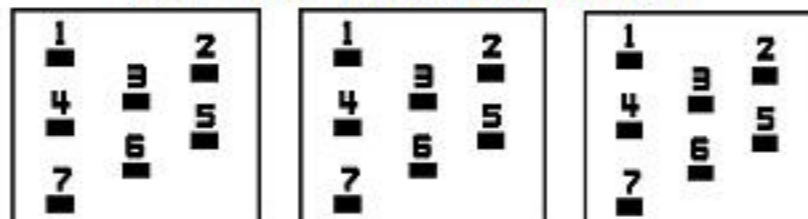
60426  
UX71A

NOG  
022216

INSPECTION  
&  
FINAL TEST  
N609!

PRIMARY (X) 208 VOLTS (LINE-LINE)  
 SECONDARY (H) 400 VOLTS (LINE-LINE)  
 231 VOLTS (LINE-NEUTRAL)

### COIL TAP ARRANGEMENT



ENCLOSURE TYPE 2 (IP20). OR RAINPROOF TYPE 3R (IP22) WHEN PROVIDED SHIELD 9T18Y1071G06

Assembled in Mexico

BEFORE HANDLING, INSTALLING AND OPERATING, SEE INSTRUCTION 475A667AAP001  
ALUMINUM CONDUCTOR PRIMARY: 10 KV BIL SECONDARY: 10 KV BIL

Outline:  
303B111GEUXP71A

H3 X3 H2 X2 H1 X1 H0

IN ACCORDANCE WITH NEC SECTION 450-9, ALLOW AT LEAST SIX INCHES  
CLEARANCE FOR VENTILATION. CHECK ADDITIONAL NEC AND LOCAL CODE

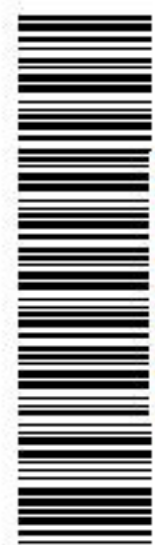
Note: standard

H3 X3 H2 X2 H1 X1 H0

H3 X3 H2 X2 H1 X1 H0



\*2M000000\*



\*3M000000\*