



Transformer



1M0000000

Catalog Number

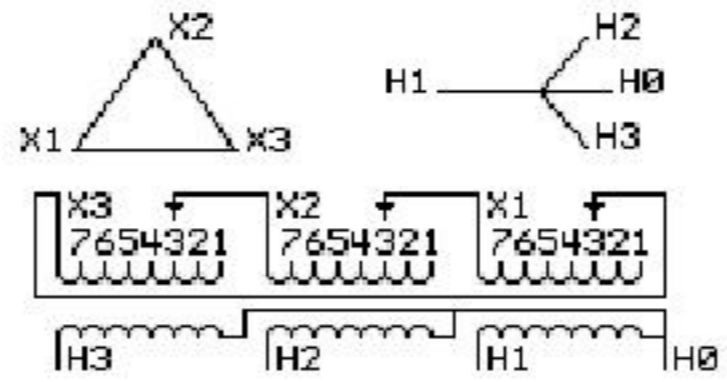
9T10A1415

Type QL

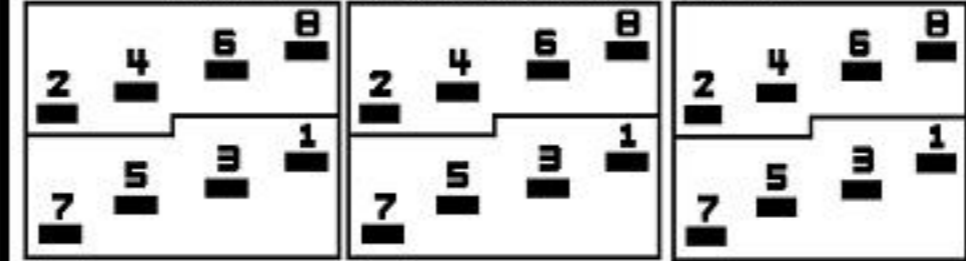
112.5 KVA 60 HZ 3 PH 3.6 % IMP

40 C AMB. 150 C RISE 220 C SYSTEM IS-19C

PRIMARY (X) 208 VOLTS (LINE-LINE)
SECONDARY (H) 240 VOLTS (LINE-LINE)
139 VOLTS (LINE-NEUTRAL)



COIL TAP ARRANGEMENT



JUMPER CONNECTION TAP	VOLTS
1	219
2	213
3	208
4	203
5	197
6	192
7	187

NET WGT
1030 LB
467.2 Kg

58974
DY76A
NOG
010716

INSPECTION & FINAL TEST N602!



ENCLOSURE TYPE 2 (IP20) OR RAINPROOF TYPE 3R (IP22) WHEN PROVIDED SHIELD 9T18Y1076G06

Assembled in Mexico

BEFORE HANDLING, INSTALLING AND OPERATING, SEE INSTRUCTION 475A667AAP001
ALUMINUM CONDUCTOR PRIMARY: 10 KV BIL SECONDARY: 10 KV BIL Outline: 303B111GEDYP76A

H3 - H2 - H1 - -
- X3 - X2 - X1

Note: H0 at the bottom

IN ACCORDANCE WITH NEC SECTION 450-9, ALLOW AT LEAST SIX INCHES CLEARANCE FOR VENTILATION. CHECK ADDITIONAL NEC AND LOCAL CODE



2M0000000



3M0000000

H3 - H2 - H1 - -
- X3 - X2 - X1
H3 - H2 - H1 - -
- X3 - X2 - X1
H0