



Transformer



1M000000

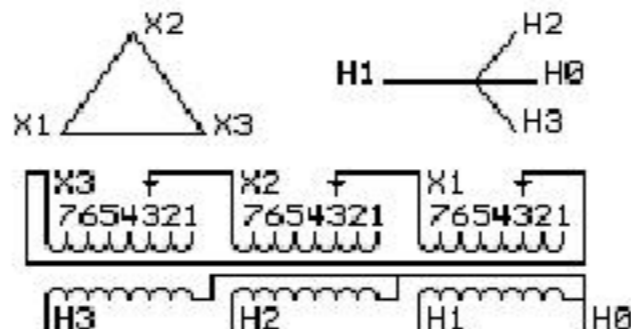
Catalog Number

9T10A1532

Type QL

30.0 KVA 60 HZ 3 PH 5.4 % IMP

40 C AMB. 150 C RISE 220 C SYSTEM IS-19C



JUMPER CONNECTION	
TAP	VOLTS
1	251
2	245
3	240
4	235
5	229
6	223
7	217

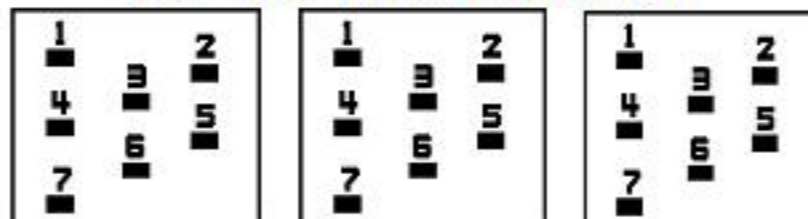
NET WGT
330 LB
149.7 Kg

60604
UX72A
NOG
031816

INSPECTION
&
FINAL TEST
N612!

PRIMARY (X) 240 VOLTS (LINE-LINE)
 SECONDARY (H) 480 VOLTS (LINE-LINE)
 277 VOLTS (LINE-NEUTRAL)

COIL TAP ARRANGEMENT



ENCLOSURE TYPE 2 (IP20). OR RAINPROOF TYPE 3R (IP22) WHEN PROVIDED SHIELD 9T18Y1072G06

Assembled in Mexico

BEFORE HANDLING, INSTALLING AND OPERATING, SEE INSTRUCTION 475A667AAP001
ALUMINUM CONDUCTOR PRIMARY: 10 KV BIL SECONDARY: 10 KV BIL

Outline:
303B111GEUXP72A

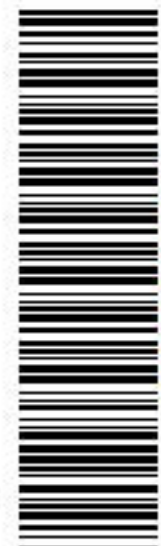
H3 X3 H2 X2 H1 X1 H0

IN ACCORDANCE WITH NEC SECTION 450-9, ALLOW AT LEAST SIX INCHES
CLEARANCE FOR VENTILATION. CHECK ADDITIONAL NEC AND LOCAL CODE

Note: standard

H3 X3 H2 X2 H1 X1 H0

H3 X3 H2 X2 H1 X1 H0



2M000000



3M000000