



Transformer



1M0000000

Catalog Number

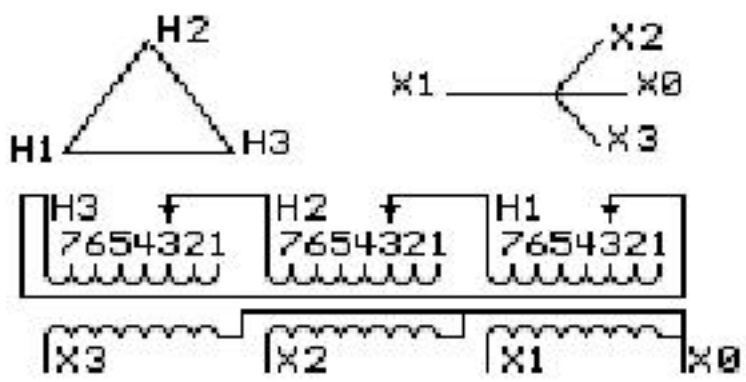
9T10A1613

Type QL

45.0 KVA 60 HZ 3 PH 3.1 % IMP

40 C AMB. 150 C RISE 220 C SYSTEM IS-19C

PRIMARY (H) 240 VOLTS (LINE-LINE)
SECONDARY (X) 208 VOLTS (LINE-LINE)
120 VOLTS (LINE-NEUTRAL)



| JUMPER CONNECTION TAP | VOLTS |
|-----------------------|-------|
| 1 | 254 |
| 2 | 247 |
| 3 | 240 |
| 4 | 234 |
| 5 | 227 |
| 6 | 224 |
| 7 | 217 |

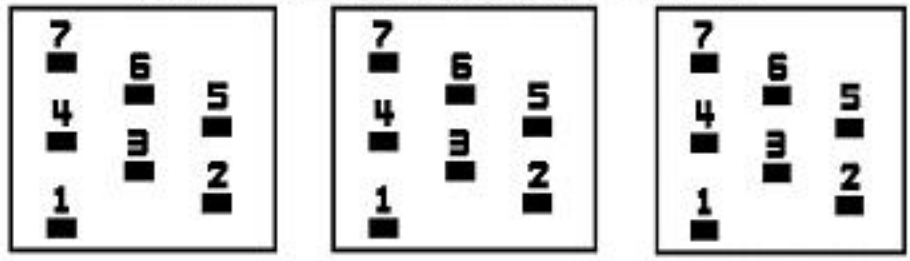
NET WGT
444 LB
201.4 Kg

58781
UX73A

NOG
121715

INSPECTION & FINAL TEST N551!

COIL TAP ARRANGEMENT



ENCLOSURE TYPE 2 (IP20) OR RAINPROOF TYPE 3R (IP22) WHEN PROVIDED SHIELD 9T18Y1072G06

Assembled in Mexico

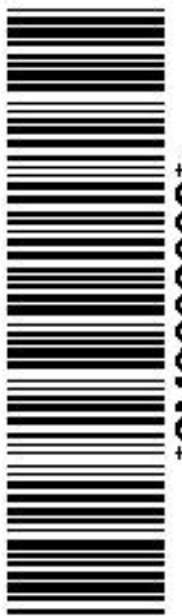
BEFORE HANDLING, INSTALLING AND OPERATING, SEE INSTRUCTION 475A667AAP001
ALUMINUM CONDUCTOR PRIMARY: 10 KV BIL SECONDARY: 10 KV BIL Outline: 303B111GEUXP73A

X3 H3 X2 H2 X1 H1 X0

IN ACCORDANCE WITH NEC SECTION 450-9, ALLOW AT LEAST SIX INCHES CLEARANCE FOR VENTILATION. CHECK ADDITIONAL NEC AND LOCAL CODE

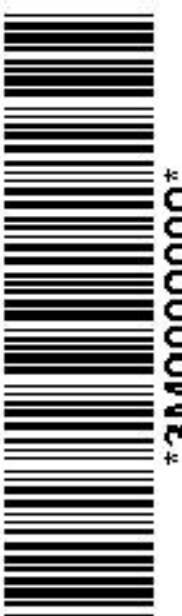
Note: standard

X0
X1
X2
X3



2M0000000

X0
X1
X2
X3



3M0000000