



# Transformer



\*1M000000\*

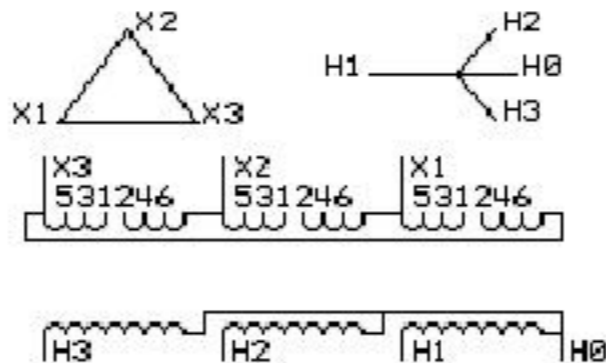
Catalog Number

Type QL

9T10A1717

225.0 KVA 60 HZ 3 PH 4.8 % IMP

40 C AMB. 150 C RISE 220 C SYSTEM IS-19C



JUMPER CONNECTION	
TAP	VOLTS
1-2	232
2-3	226
3-4	220
4-5	213
5-6	206

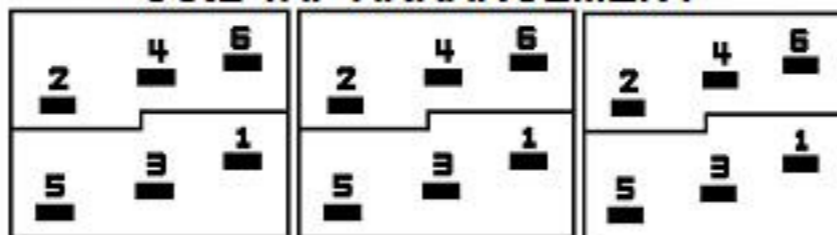
NET WGT  
1450 LB  
657.7 Kg

60257  
DY77A  
NOG  
020816

INSPECTION  
&  
FINAL TEST  
N607!

PRIMARY (X) 220 VOLTS (LINE-LINE)  
 SECONDARY (H) 480 VOLTS (LINE-LINE)  
 277 VOLTS (LINE-NEUTRAL)

### COIL TAP ARRANGEMENT

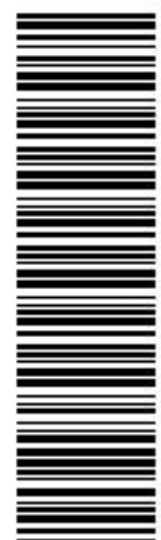


Assembled in Mexico

ENCLOSURE TYPE 2 (IP20). OR RAINPROOF TYPE 3R (IP22) WHEN PROVIDED SHIELD 9T18Y1077G06

BEFORE HANDLING, INSTALLING AND OPERATING, SEE INSTRUCTION 475A667AAP001 Outline:  
 ALUMINUM CONDUCTOR PRIMARY: 10 KV BIL SECONDARY: 10 KV BIL 303B112GEDYP77A

**IN ACCORDANCE WITH NEC SECTION 450-9, ALLOW AT LEAST SIX INCHES CLEARANCE FOR VENTILATION. CHECK ADDITIONAL NEC AND LOCAL CODE**



\*2M000000\*



\*3M000000\*