



Transformer



1M000000

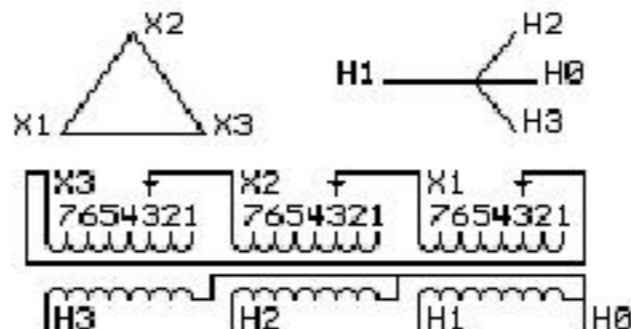
Catalog Number

9T10A1722

Type QL

30.0 KVA 60 HZ 3 PH 5.8 % IMP

40 C AMB. 150 C RISE 220 C SYSTEM IS-19C



JUMPER CONNECTION	
TAP	VOLTS
1	231
2	226
3	220
4	214
5	209
6	203
7	197

NET WGT
330 LB
149.7 Kg

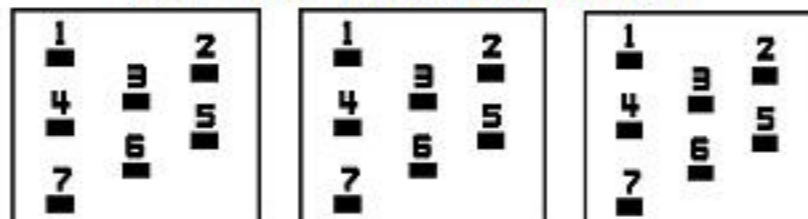
60402
UX72A

NOG
021816

INSPECTION
&
FINAL TEST
N608!

PRIMARY (X) 220 VOLTS (LINE-LINE)
 SECONDARY (H) 440 VOLTS (LINE-LINE)
 254 VOLTS (LINE-NEUTRAL)

COIL TAP ARRANGEMENT



ENCLOSURE TYPE 2 (IP20). OR RAINPROOF TYPE 3R (IP22) WHEN PROVIDED SHIELD 9T18Y1072G06

Assembled in Mexico

BEFORE HANDLING, INSTALLING AND OPERATING, SEE INSTRUCTION 475A667AAP001
ALUMINUM CONDUCTOR PRIMARY: 10 KV BIL SECONDARY: 10 KV BIL

Outline:
303B111GEUXP72A

H3 X3 H2 X2 H1 X1 H0

IN ACCORDANCE WITH NEC SECTION 450-9, ALLOW AT LEAST SIX INCHES
CLEARANCE FOR VENTILATION. CHECK ADDITIONAL NEC AND LOCAL CODE

Note: standard



2M000000



3M000000

H3 X3 H2 X2 H1 X1 H0

H3 X3 H2 X2 H1 X1 H0