



# Transformer



\*1M0000000\*

Catalog Number

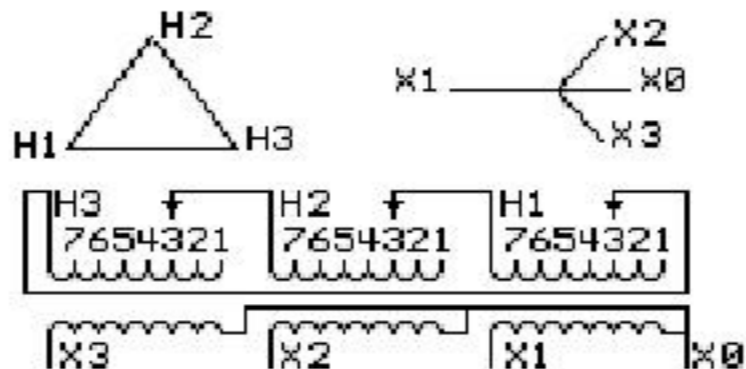
9T10A1761

Type QL

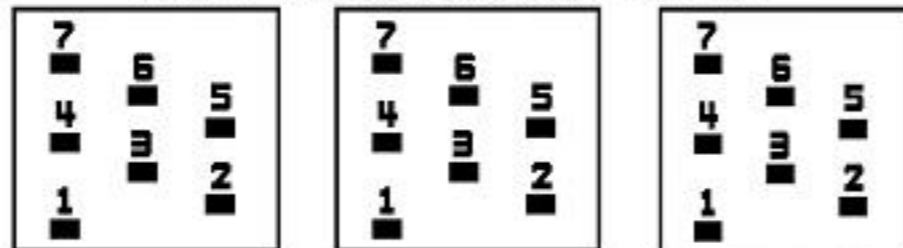
15.0 KVA 60 HZ 3 PH 4.1 % IMP

40 C AMB. 150 C RISE 220 C SYSTEM IS-19C

PRIMARY (H) 380 VOLTS (LINE-LINE)  
SECONDARY (X) 220 VOLTS (LINE-LINE)  
127 VOLTS (LINE-NEUTRAL)



### COIL TAP ARRANGEMENT



JUMPER CONNECTION TAP	VOLTS
1	398
2	390
3	380
4	370
5	362
6	351
7	343

NET WGT  
231 LB  
104.8 Kg

58618  
UX71A

NOG  
121015

INSPECTION  
&  
FINAL TEST  
N550!



ENCLOSURE TYPE 2 (IP20) OR RAINPROOF TYPE 3R (IP22) WHEN PROVIDED SHIELD 9T18Y1071G06

BEFORE HANDLING, INSTALLING AND OPERATING, SEE INSTRUCTION 475A667AAP001  
ALUMINUM CONDUCTOR PRIMARY: 10 KV BIL SECONDARY: 10 KV BIL Outline: 303B111GEUXP71A

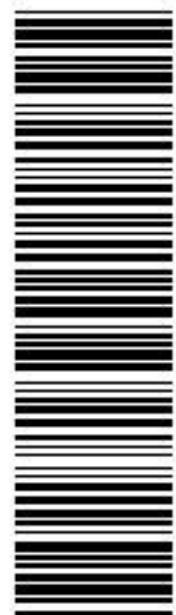
IN ACCORDANCE WITH NEC SECTION 450-9, ALLOW AT LEAST SIX INCHES CLEARANCE FOR VENTILATION. CHECK ADDITIONAL NEC AND LOCAL CODE

Assembled in Mexico

X3 H3 X2 H2 X1 H1 X0

Note: standard

X0  
X1  
X2  
X3



\*2M0000000\*

X0  
X1  
X2  
X3



\*3M0000000\*