



# Transformer



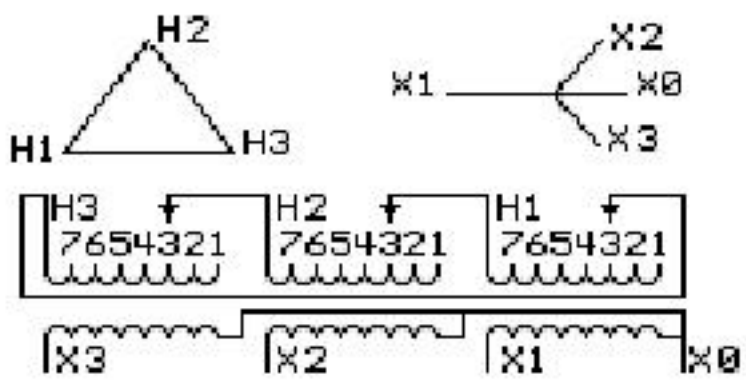
\*1M0000000\*

Catalog Number **9T10A1762** Type **QL**

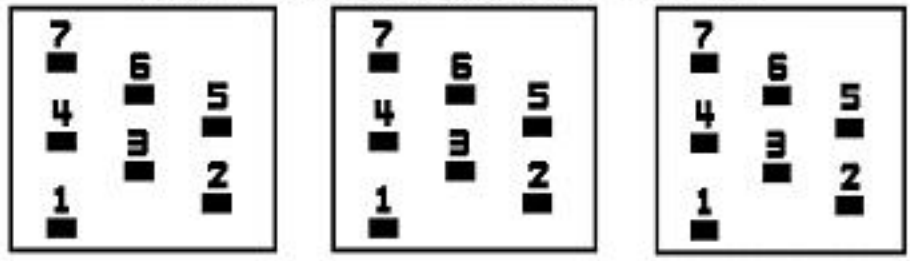
**30.0 KVA 60 HZ 3 PH 4.9 % IMP**

40 C AMB. 150 C RISE 220 C SYSTEM IS-19C

PRIMARY (H) 380 VOLTS (LINE-LINE)  
SECONDARY (X) 220 VOLTS (LINE-LINE)  
127 VOLTS (LINE-NEUTRAL)



### COIL TAP ARRANGEMENT



JUMPER CONNECTION TAP	VOLTS
1	399
2	389
3	380
4	371
5	361
6	351
7	343

NET WGT  
330 LB  
149.7 Kg  
  
58619  
UX72A  
NOG  
121015

INSPECTION & FINAL TEST N550!



ENCLOSURE TYPE 2 (IP20). OR RAINPROOF TYPE 3R (IP22) WHEN PROVIDED SHIELD 9T18Y1072G06

Assembled in Mexico

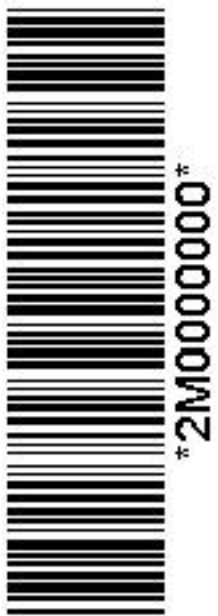
BEFORE HANDLING, INSTALLING AND OPERATING, SEE INSTRUCTION 475A667AAP001  
ALUMINUM CONDUCTOR PRIMARY: 10 KV BIL SECONDARY: 10 KV BIL Outline: 303B111GEUXP72A

**X3 H3 X2 H2 X1 H1 X0**

IN ACCORDANCE WITH NEC SECTION 450-9, ALLOW AT LEAST SIX INCHES CLEARANCE FOR VENTILATION. CHECK ADDITIONAL NEC AND LOCAL CODE

Note: standard

X0  
X1  
X2  
X3  
H1  
H2  
H3  
X0  
X1  
X2  
X3  
H1  
H2  
H3  
X0



\*2M0000000\*



\*3M0000000\*