



Transformer



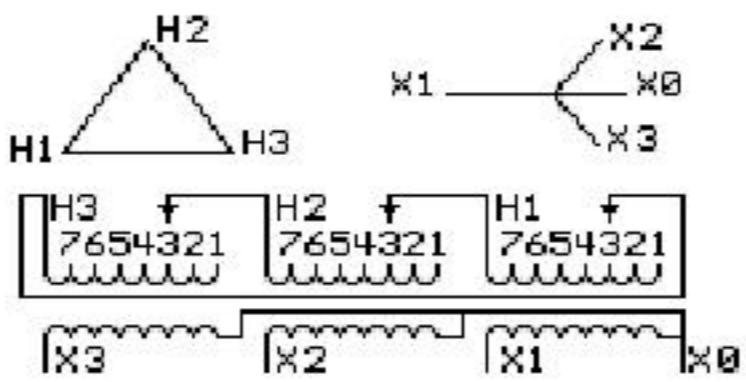
1M0000000

Catalog Number **9T10A1763** Type **QL**

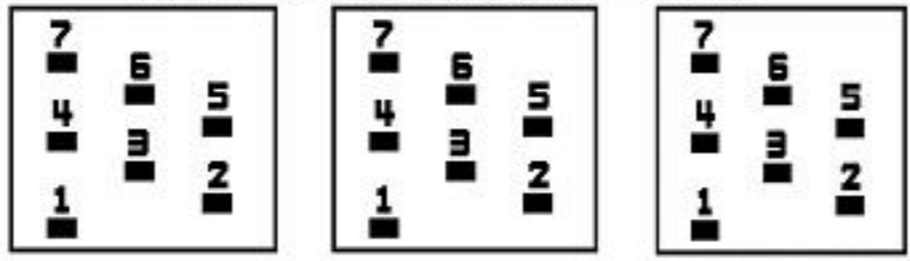
45.0 KVA 60 HZ 3 PH 3.4 % IMP

40 C AMB. 150 C RISE 220 C SYSTEM IS-19C

PRIMARY (H) 380 VOLTS (LINE-LINE)
SECONDARY (X) 220 VOLTS (LINE-LINE)
127 VOLTS (LINE-NEUTRAL)



COIL TAP ARRANGEMENT



| JUMPER CONNECTION TAP | VOLTS |
|-----------------------|-------|
| 1 | 401 |
| 2 | 391 |
| 3 | 380 |
| 4 | 371 |
| 5 | 362 |
| 6 | 352 |
| 7 | 342 |

NET WGT
444 LB
201.4 Kg

58517
UX73A
NOG
121015

INSPECTION & FINAL TEST N550!



ENCLOSURE TYPE 2 (IP20) OR RAINPROOF TYPE 3R (IP22) WHEN PROVIDED SHIELD 9T18Y1072G06

Assembled in Mexico

BEFORE HANDLING, INSTALLING AND OPERATING, SEE INSTRUCTION 475A667AAP001
ALUMINUM CONDUCTOR PRIMARY: 10 KV BIL SECONDARY: 10 KV BIL Outline: 303B111GEUXP73A

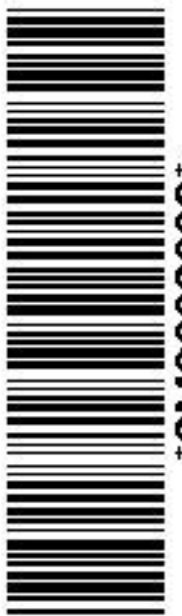
X3 H3 X2 H2 X1 H1 X0

IN ACCORDANCE WITH NEC SECTION 450-9, ALLOW AT LEAST SIX INCHES CLEARANCE FOR VENTILATION. CHECK ADDITIONAL NEC AND LOCAL CODE

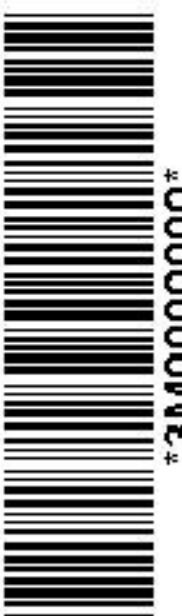
Note: standard

X0
X1
H1
-
X2
H2
X3
H3

X0
X1
H1
-
X2
H2
X3
H3



2M0000000



3M0000000