



Transformer



1M0000000

Catalog Number

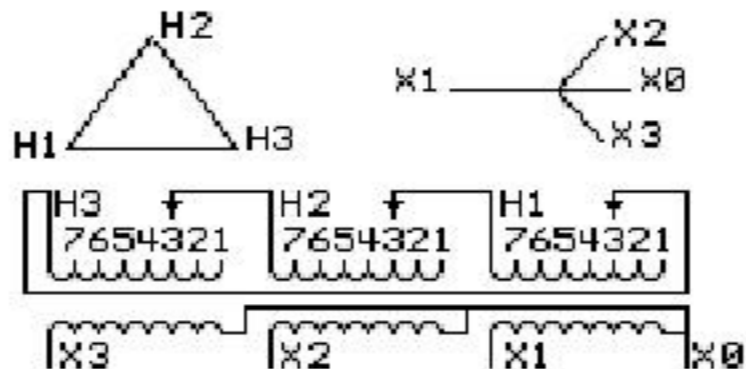
Type QL

9T10A1881

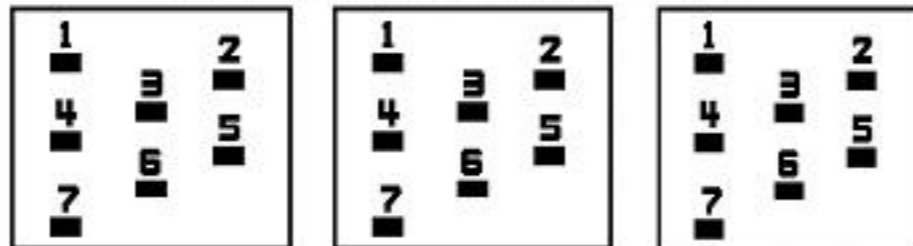
15.0 KVA 60 HZ 3 PH 3.9 % IMP

40 C AMB. 150 C RISE 220 C SYSTEM IS-19C

PRIMARY (H) 440 VOLTS (LINE-LINE)
SECONDARY (X) 220 VOLTS (LINE-LINE)
127 VOLTS (LINE-NEUTRAL)



COIL TAP ARRANGEMENT



| JUMPER CONNECTION | |
|-------------------|-------|
| TAP | VOLTS |
| 1 | 461 |
| 2 | 451 |
| 3 | 440 |
| 4 | 430 |
| 5 | 417 |
| 6 | 406 |
| 7 | 396 |

NET WGT
231 LB
104.8 Kg

59170
UX71A
NOG
020116

INSPECTION
&
FINAL TEST
N606!



ENCLOSURE TYPE 2 (IP20) OR RAINPROOF TYPE 3R (IP22) WHEN PROVIDED SHIELD 9T18Y1071G06

Assembled in Mexico

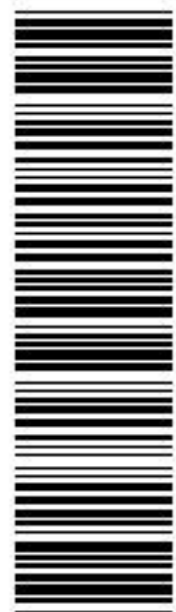
BEFORE HANDLING, INSTALLING AND OPERATING, SEE INSTRUCTION 475A667AAP001 Outline:
ALUMINUM CONDUCTOR PRIMARY: 10 KV BIL SECONDARY: 10 KV BIL 303B111GEUXP71A

X3 H3 X2 H2 X1 H1 X0

IN ACCORDANCE WITH NEC SECTION 450-9, ALLOW AT LEAST SIX INCHES
CLEARANCE FOR VENTILATION. CHECK ADDITIONAL NEC AND LOCAL CODE

Note: standard

X0
H1
H1
X1
X1
H2
H2
X2
X2
H3
H3
X3



2M0000000

X0
H1
H1
X1
X1
H2
H2
X2
X2
H3
H3
X3



3M0000000