



# Transformer



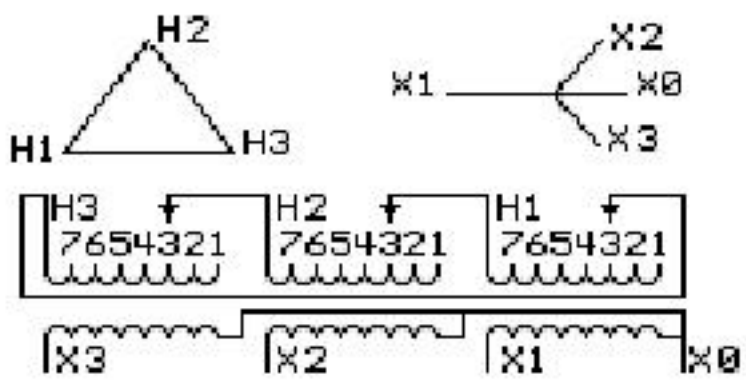
\*1M0000000\*

Catalog Number **9T10A1882** Type **QL**

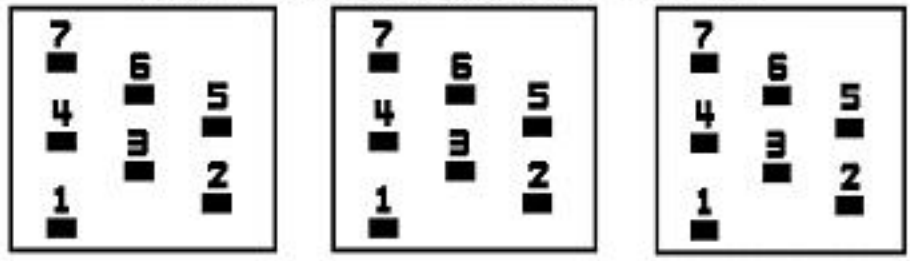
**30.0 KVA 60 HZ 3 PH 5.1 % IMP**

40 C AMB. 150 C RISE 220 C SYSTEM IS-19C

PRIMARY (H) 440 VOLTS (LINE-LINE)  
SECONDARY (X) 220 VOLTS (LINE-LINE)  
127 VOLTS (LINE-NEUTRAL)



### COIL TAP ARRANGEMENT



JUMPER CONNECTION	
TAP	VOLTS
1	462
2	452
3	440
4	429
5	417
6	407
7	395

NET WGT  
330 LB  
149.7 Kg

58664  
UX72A  
NOG  
121315

INSPECTION  
&  
FINAL TEST  
N551!



ENCLOSURE TYPE 2 (IP20). OR RAINPROOF TYPE 3R (IP22) WHEN PROVIDED SHIELD 9T18Y1072G06

Assembled in Mexico

BEFORE HANDLING, INSTALLING AND OPERATING, SEE INSTRUCTION 475A667AAP001  
ALUMINUM CONDUCTOR PRIMARY: 10 KV BIL SECONDARY: 10 KV BIL Outline: 303B111GEUXP72A

**X3 H3 X2 H2 X1 H1 X0**

IN ACCORDANCE WITH NEC SECTION 450-9, ALLOW AT LEAST SIX INCHES CLEARANCE FOR VENTILATION. CHECK ADDITIONAL NEC AND LOCAL CODE

Note: standard

X0  
X1  
H1  
-  
X2  
H2  
X3  
H3



\*2M0000000\*

X0  
X1  
H1  
-  
X2  
H2  
X3  
H3



\*3M0000000\*