



Transformer



1M0000000

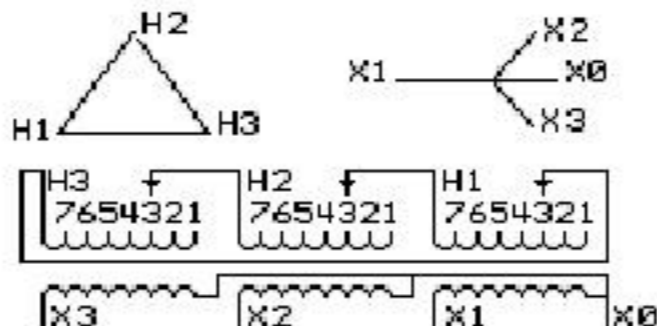
Catalog Number
9T10A2183G31

Type **QL**

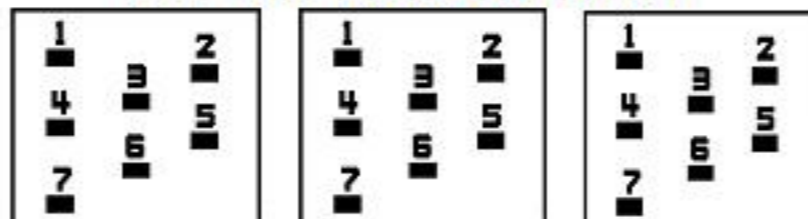
45.0 KVA 60 HZ 3 PH 3 % IMP

40 C AMB. 115 C RISE 220 C SYSTEM IS-19C

PRIMARY (H) 460 VOLTS (LINE-LINE)
SECONDARY (X) 208 VOLTS (LINE-LINE)
120 VOLTS (LINE-NEUTRAL)



COIL TAP ARRANGEMENT



JUMPER CONNECTION	
TAP	VOLTS
1	484
2	470
3	460
4	447
5	437
6	427
7	414

NET WGT
444 LB
201.4 Kg

60572
UX73A
NOG
031516

INSPECTION
&
FINAL TEST
N612!



LISTED 769G

Assembled in Mexico

ENCLOSURE TYPE 2 (IP20). OR RAINPROOF TYPE 3R (IP22) WHEN PROVIDED SHIELD 9T18Y1072G06

BEFORE HANDLING, INSTALLING AND OPERATING, SEE INSTRUCTION 475A667AAP001
ALUMINUM CONDUCTOR PRIMARY: 10 KV BIL SECONDARY: 10 KV BIL

Outline:
303B111GEUXP73A

**IN ACCORDANCE WITH NEC SECTION 450-9, ALLOW AT LEAST SIX INCHES
CLEARANCE FOR VENTILATION. CHECK ADDITIONAL NEC AND LOCAL CODE**

X3 H3 X2 H2 X1 H1 X0

Note: standard

X0
X1
X2
X3



2M0000000

X0
X1
X2
X3



3M0000000