



Transformer



1M0000000

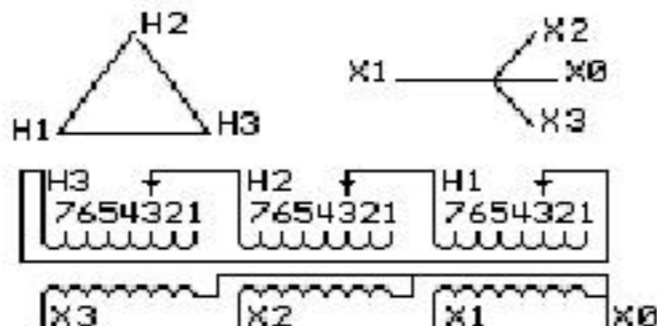
Catalog Number
9T10A2251G31

Type **QL**

15.0 KVA 60 HZ 3 PH 3.5 % IMP

40 C AMB. 115 C RISE 220 C SYSTEM IS-19C

PRIMARY (H) 460 VOLTS (LINE-LINE)
SECONDARY (X) 230 VOLTS (LINE-LINE)
133 VOLTS (LINE-NEUTRAL)



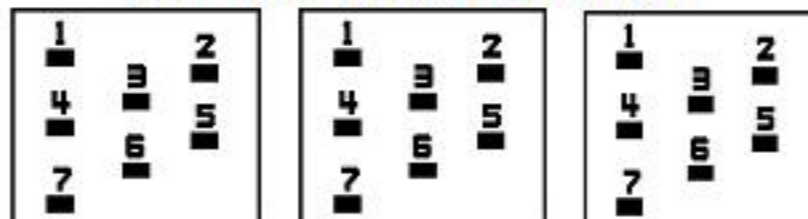
JUMPER CONNECTION	
TAP	VOLTS
1	483
2	472
3	460
4	449
5	436
6	426
7	413

NET WGT
231 LB
104.8 Kg

60290
UX71A
NOG
021016

INSPECTION
&
FINAL TEST
N607!

COIL TAP ARRANGEMENT



ENCLOSURE TYPE 2 (IP20). OR RAINPROOF TYPE 3R (IP22) WHEN PROVIDED SHIELD 9T18Y1071G06

Assembled in Mexico

BEFORE HANDLING, INSTALLING AND OPERATING, SEE INSTRUCTION 475A667AAP001
ALUMINUM CONDUCTOR PRIMARY: 10 KV BIL SECONDARY: 10 KV BIL

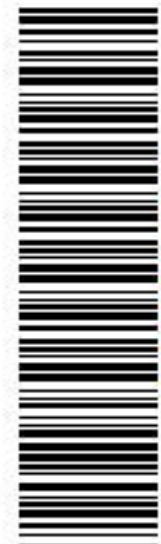
Outline:
303B111GEUXP71A

X3 H3 X2 H2 X1 H1 X0

**IN ACCORDANCE WITH NEC SECTION 450-9, ALLOW AT LEAST SIX INCHES
CLEARANCE FOR VENTILATION. CHECK ADDITIONAL NEC AND LOCAL CODE**

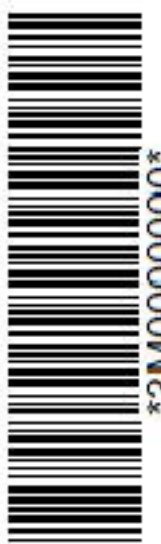
Note: standard

X0
X1
X2
X3



2M0000000

X0
X1
X2
X3



3M0000000