



Transformer



1M0000000

Catalog Number

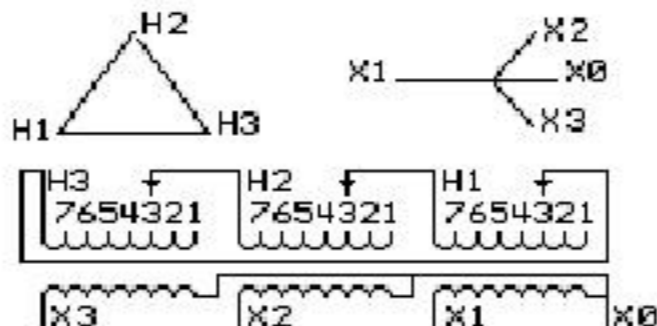
9T10A2403

Type QL

45.0 KVA 60 HZ 3 PH 3.4 % IMP

40 C AMB. 150 C RISE 220 C SYSTEM IS-19C

PRIMARY (H) 600 VOLTS (LINE-LINE)
SECONDARY (X) 208 VOLTS (LINE-LINE)
120 VOLTS (LINE-NEUTRAL)



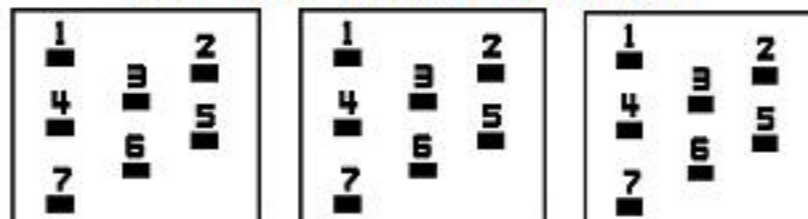
JUMPER CONNECTION	
TAP	VOLTS
1	630
2	614
3	600
4	584
5	570
6	554
7	540

NET WGT
444 LB
201.4 Kg

60427
UX73A
NOG
022216

INSPECTION
&
FINAL TEST
N609!

COIL TAP ARRANGEMENT



ENCLOSURE TYPE 2 (IP20). OR RAINPROOF TYPE 3R (IP22) WHEN PROVIDED SHIELD 9T18Y1072G06

BEFORE HANDLING, INSTALLING AND OPERATING, SEE INSTRUCTION 475A667AAP001
ALUMINUM CONDUCTOR PRIMARY: 10 KV BIL SECONDARY: 10 KV BIL

Outline:
303B111GEUXP73A

Assembled in Mexico

IN ACCORDANCE WITH NEC SECTION 450-9, ALLOW AT LEAST SIX INCHES
CLEARANCE FOR VENTILATION. CHECK ADDITIONAL NEC AND LOCAL CODE

X3 H3 X2 H2 X1 H1 X0

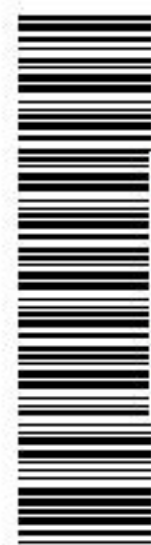
Note: standard

X0
X1
H1
X1
H1
X2
H2
X2
H2
X3
H3
X3
H3

X0
X1
H1
X1
H1
X2
H2
X2
H2
X3
H3
X3
H3



2M0000000



3M0000000