



Transformer



1M000000

Catalog Number

9T10A2563

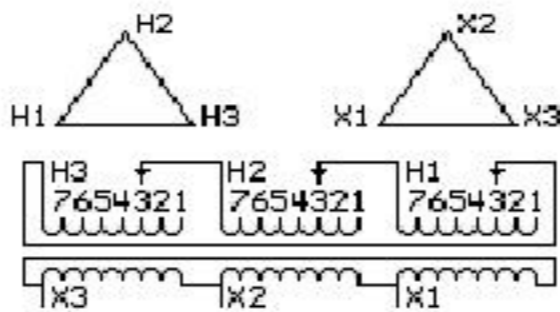
Type QL

45.0 KVA 60 HZ 3 PH 3.8 % IMP

40 C AMB. 150 C RISE 220 C SYSTEM IS-19C

PRIMARY (H) 240 VOLTS (LINE-LINE)

SECONDARY (X) 240 VOLTS (LINE-LINE)



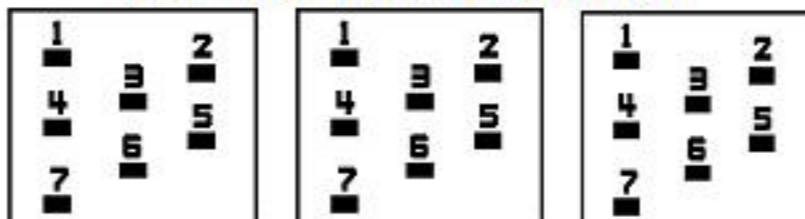
JUMPER CONNECTION	
TAP	VOLTS
1	253
2	246
3	240
4	234
5	227
6	221
7	217

NET WGT
444 LB
201.4 Kg

60573
UX73A
NOG
031516

INSPECTION
&
FINAL TEST
N612!

COIL TAP ARRANGEMENT



LISTED 769G

ENCLOSURE TYPE 2 (IP20). OR RAINPROOF TYPE 3R (IP22) WHEN PROVIDED SHIELD 9T18Y1072G06

BEFORE HANDLING, INSTALLING AND OPERATING, SEE INSTRUCTION 475A667AAP001
ALUMINUM CONDUCTOR PRIMARY: 10 KV BIL SECONDARY: 10 KV BIL

Outline:
303B111GEUXP73A

Assembled in Mexico

X3 H3 X2 H2 X1 H1 -

Note: standard

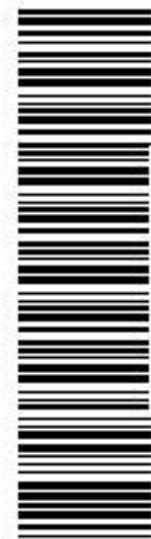
IN ACCORDANCE WITH NEC SECTION 450-9, ALLOW AT LEAST SIX INCHES
CLEARANCE FOR VENTILATION. CHECK ADDITIONAL NEC AND LOCAL CODE

X3 H3 X2 H2 X1 H1

X3 H3 X2 H2 X1 H1



2M000000



3M000000