



# Core & Coil Transformer



\*1M000000\*

X0  
X1 H1  
X1 H1  
X0

Catalog Number

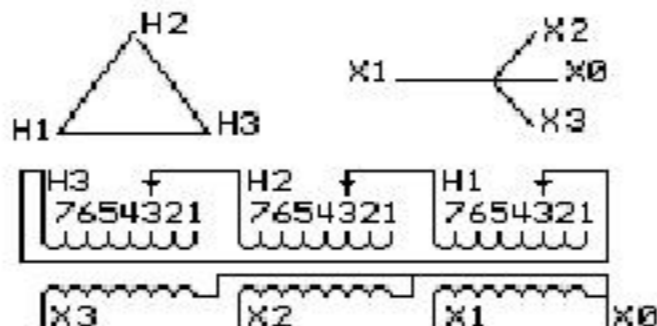
Type QL-C

9T10B1001

15.0 KVA 60 HZ 3 PH 3.7 % IMP

40 C AMB. 150 C RISE 220 C SYSTEM IS-19C

Note: Design is based on 15.00KVA & 115C Rise 3.4% Imp.



JUMPER CONNECTION	
TAP	VOLTS
1	504
2	493
3	480
4	468
5	455
6	445
7	432

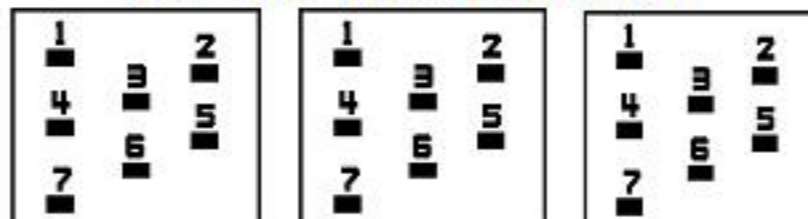
NET WGT  
195 LB  
88.5 Kg

59002  
UX71A  
NOG  
021516

INSPECTION  
&  
FINAL TEST  
N608!

PRIMARY (H) 480 VOLTS (LINE-LINE)  
 SECONDARY (X) 208 VOLTS (LINE-LINE)  
 120 VOLTS (LINE-NEUTRAL)

### COIL TAP ARRANGEMENT



Assembled in Mexico

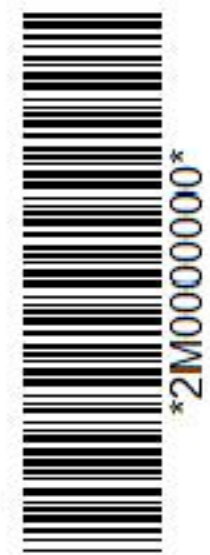
BEFORE HANDLING, INSTALLING AND OPERATING, SEE INSTRUCTION 475A667AAP001  
ALUMINUM CONDUCTOR PRIMARY: 10 KV BIL SECONDARY: 10 KV BIL

Outline:  
303B111GEUXP71A

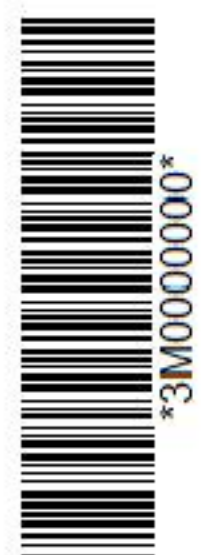
X3 H3 X2 H2 X1 H1 X0

Note: standard

IN ACCORDANCE WITH NEC SECTION 450-9, ALLOW AT LEAST SIX INCHES  
CLEARANCE FOR VENTILATION. CHECK ADDITIONAL NEC AND LOCAL CODE



\*2M000000\*



\*3M000000\*