



# Core & Coil Transformer



\*1M0000000\*

X0  
X0  
X0

X1 H1  
X1 H1  
X2 H2  
X2 H2  
X3 H3  
X3 H3  
X3 H3  
X3 H3



\*2M0000000\*

\*3M0000000\*

Catalog Number  
**9T10B1002G61**

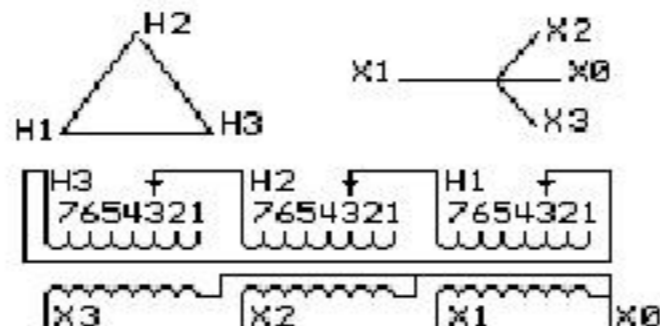
Type **QL-C**

**30.0 KVA 60 HZ 3 PH 2 % IMP**

40 C AMB. 80 C RISE 220 C SYSTEM IS-19C

Note: Design is based on 45.00KVA & 115C Rise 3% Imp.

PRIMARY (H) 480 VOLTS (LINE-LINE)  
SECONDARY (X) 208 VOLTS (LINE-LINE)  
120 VOLTS (LINE-NEUTRAL)



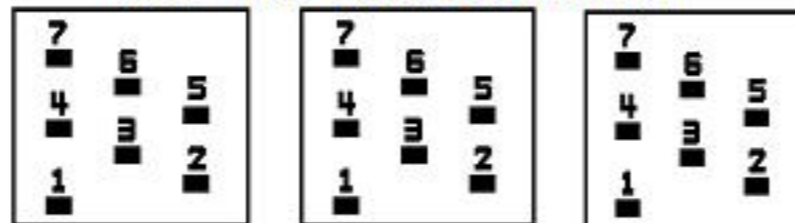
JUMPER CONNECTION	
TAP	VOLTS
1	504
2	490
3	480
4	467
5	457
6	444
7	434

NET WGT  
390 LB  
176.9 Kg

60466  
UX73A  
NOG  
040416

INSPECTION  
&  
FINAL TEST  
N615!

### COIL TAP ARRANGEMENT



Assembled in Mexico

BEFORE HANDLING, INSTALLING AND OPERATING, SEE INSTRUCTION 475A667AAP001  
ALUMINUM CONDUCTOR PRIMARY: 10 KV BIL SECONDARY: 10 KV BIL

Outline:  
303B111GEUXP73A

X3 H3 X2 H2 X1 H1 X0

- - - - -

Note: standard

IN ACCORDANCE WITH NEC SECTION 450-9, ALLOW AT LEAST SIX INCHES  
CLEARANCE FOR VENTILATION. CHECK ADDITIONAL NEC AND LOCAL CODE