



Core & Coil Transformer



1M000000

X0
X1 H1
X2 H2
X3 H3

Catalog Number

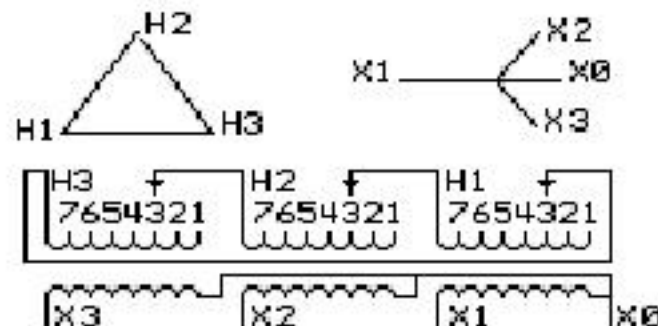
Type QL-C

9T10B2403

45.0 KVA 60 HZ 3 PH 3.4 % IMP

40 C AMB. 150 C RISE 220 C SYSTEM IS-19C

Note: Design is based on 45.00KVA & 150C Rise 3.4% Imp.



JUMPER CONNECTION	
TAP	VOLTS
1	630
2	614
3	600
4	584
5	570
6	554
7	540

NET WGT
390 LB
176.9 Kg

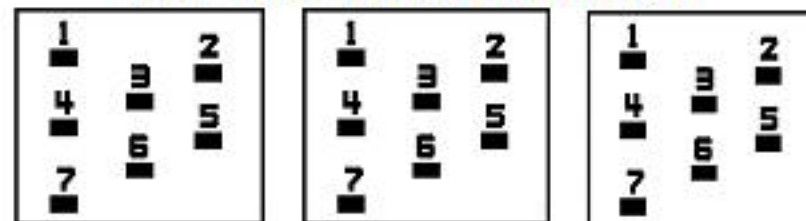
60427
UX73A

NOG
022516

INSPECTION
&
FINAL TEST
N609!

PRIMARY (H) 600 VOLTS (LINE-LINE)
 SECONDARY (X) 208 VOLTS (LINE-LINE)
 120 VOLTS (LINE-NEUTRAL)

COIL TAP ARRANGEMENT



Assembled in Mexico

BEFORE HANDLING, INSTALLING AND OPERATING, SEE INSTRUCTION 475A667AAP001
ALUMINUM CONDUCTOR PRIMARY: 10 KV BIL SECONDARY: 10 KV BIL

Outline:
303B111GEUXP73A

X3 H3 X2 H2 X1 H1 X0

Note: standard

IN ACCORDANCE WITH NEC SECTION 450-9, ALLOW AT LEAST SIX INCHES
CLEARANCE FOR VENTILATION. CHECK ADDITIONAL NEC AND LOCAL CODE



2M000000



3M000000