



Transformer



1M0000000

X0
X1 H1
X2 H2
X3 H3

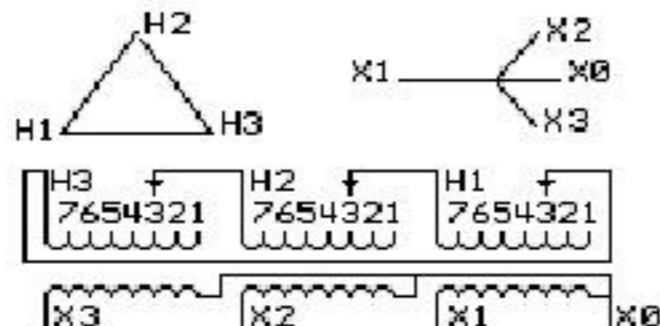
Catalog Number
9T10C1001G61

Type **QL**

15.0 KVA 60 HZ 3 PH 1.8 % IMP

40 C AMB. 80 C RISE 220 C SYSTEM IS-19C

Note: Design is based on 30.00KVA & 115C Rise 3.6% Imp.



JUMPER CONNECTION	
TAP	VOLTS
1	503
2	493
3	480
4	468
5	455
6	445
7	432

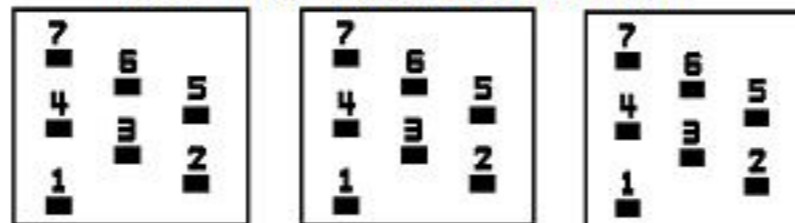
NET WGT
353 LB
160.1 Kg

60667
UK72C
NOG
032816

INSPECTION
&
FINAL TEST
N614!

PRIMARY (H)	480 VOLTS (LINE-LINE)
SECONDARY (X)	208 VOLTS (LINE-LINE)
	120 VOLTS (LINE-NEUTRAL)

COIL TAP ARRANGEMENT



ENCLOSURE TYPE 2 (IP20). OR RAINPROOF TYPE 3R (IP22) WHEN PROVIDED SHIELD 9T18Y1072G06

Assembled in Mexico

BEFORE HANDLING, INSTALLING AND OPERATING, SEE INSTRUCTION 475A667AAP001
COPPER CONDUCTOR PRIMARY: 10 KV BIL SECONDARY: 10 KV BIL

Outline:
303B111GEUXP72C

X3 H3 X2 H2 X1 H1 X0

IN ACCORDANCE WITH NEC SECTION 450-9, ALLOW AT LEAST SIX INCHES
CLEARANCE FOR VENTILATION. CHECK ADDITIONAL NEC AND LOCAL CODE

Note: standard

