



# Transformer



\*1M000000\*

Catalog Number  
**9T10C1002G33**

Type **QL**

**30.0 KVA 60 HZ 3 PH 3.7 % IMP**

40 C AMB. 115 C RISE 220 C SYSTEM IS-19C

PRIMARY (H) 480 VOLTS (LINE-LINE)  
SECONDARY (X) 208 VOLTS (LINE-LINE)  
120 VOLTS (LINE-NEUTRAL)

ELECTROSTATIC GROUND SHIELD IN EACH PHASE

ENCLOSURE TYPE 2 (IP20). OR RAINPROOF TYPE 3R (IP22) WHEN PROVIDED SHIELD 9T18Y1072G06

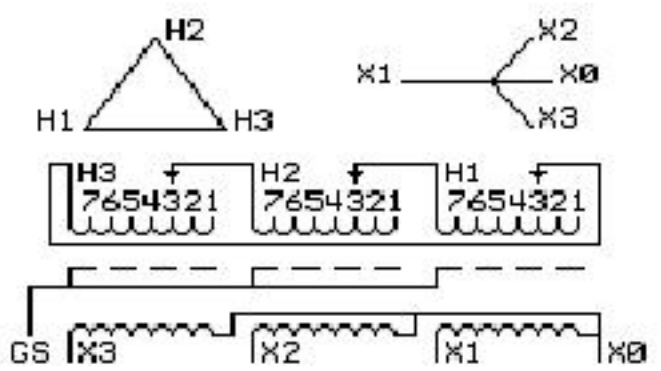
BEFORE HANDLING, INSTALLING AND OPERATING, SEE INSTRUCTION 475A667AAP001 Outline:  
COPPER CONDUCTOR PRIMARY: 10 KV BIL SECONDARY: 10 KV BIL 303B111GEUXP72C

**IN ACCORDANCE WITH NEC SECTION 450-9, ALLOW AT LEAST SIX INCHES CLEARANCE FOR VENTILATION. CHECK ADDITIONAL NEC AND LOCAL CODE**

GE Energy Industrial Solutions

NEMA CLASS AA DRY TYPE TRANSFORMER

Meets DOE 2016 efficiency



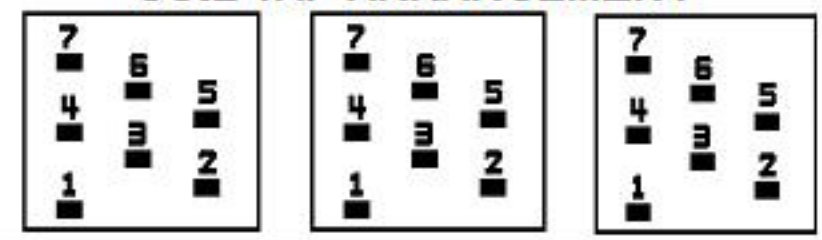
JUMPER CONNECTION	
TAP	VOLTS
1	503
2	493
3	480
4	468
5	455
6	445
7	432

NET WGT  
353 LB  
160.1 Kg

60668  
UK72C  
NOG  
032816

INSPECTION  
&  
FINAL TEST  
N614!

### COIL TAP ARRANGEMENT



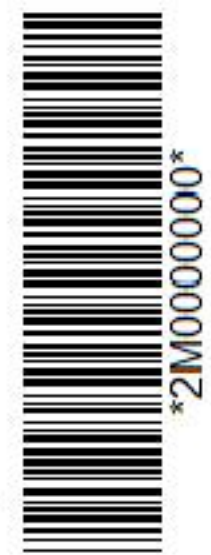
LISTED 769G

Assembled in Mexico

**X3 H3 X2 H2 X1 H1 X0**

Note: standard

X0  
X1  
X2  
X3



\*2M000000\*

X0  
X1  
X2  
X3



\*3M000000\*