



Transformer



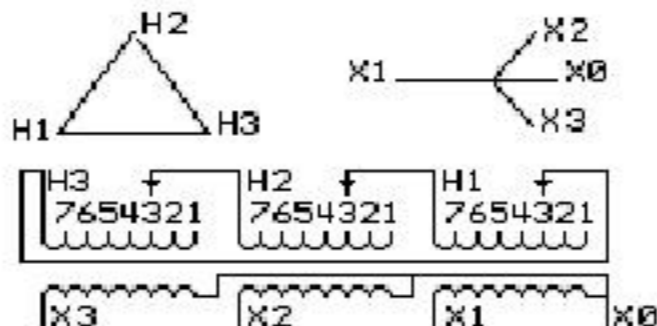
1M000000

Catalog Number
9T10C1002G35

Type **QL**

30.0 KVA 60 HZ 3 PH 3.7 % IMP

40 C AMB. 115 C RISE 220 C SYSTEM IS-19C



| JUMPER CONNECTION | |
|-------------------|-------|
| TAP | VOLTS |
| 1 | 503 |
| 2 | 493 |
| 3 | 480 |
| 4 | 468 |
| 5 | 455 |
| 6 | 445 |
| 7 | 432 |

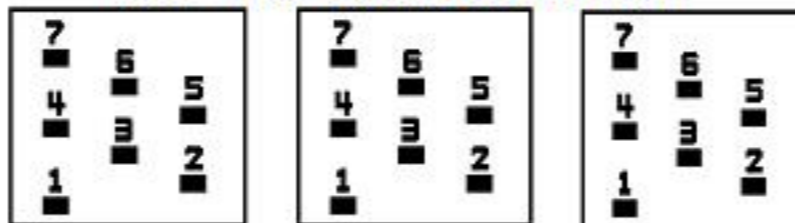
NET WGT
353 LB
160.1 Kg

60669
UK72C
NOG
032816

INSPECTION
&
FINAL TEST
N614!

PRIMARY (H) 480 VOLTS (LINE-LINE)
 SECONDARY (X) 208 VOLTS (LINE-LINE)
 120 VOLTS (LINE-NEUTRAL)

COIL TAP ARRANGEMENT



LISTED 769G

ENCLOSURE TYPE 2 (IP20). OR RAINPROOF TYPE 3R (IP22) WHEN PROVIDED SHIELD 9T18Y1072G06

Assembled in Mexico

BEFORE HANDLING, INSTALLING AND OPERATING, SEE INSTRUCTION 475A667AAP001
COPPER CONDUCTOR PRIMARY: 10 KV BIL SECONDARY: 10 KV BIL

Outline:
303B111GEUXP72C

X3 H3 X2 H2 X1 H1 X0

**IN ACCORDANCE WITH NEC SECTION 450-9, ALLOW AT LEAST SIX INCHES
CLEARANCE FOR VENTILATION. CHECK ADDITIONAL NEC AND LOCAL CODE**

Note: standard

X0
X1
H1
X1
H1
X2
H2
X2
H2
X3
H3
X3
H3

X0
X1
H1
X1
H1
X2
H2
X2
H2
X3
H3
X3
H3



2M000000



3M000000