



# Transformer



\*1M0000000\*

Catalog Number

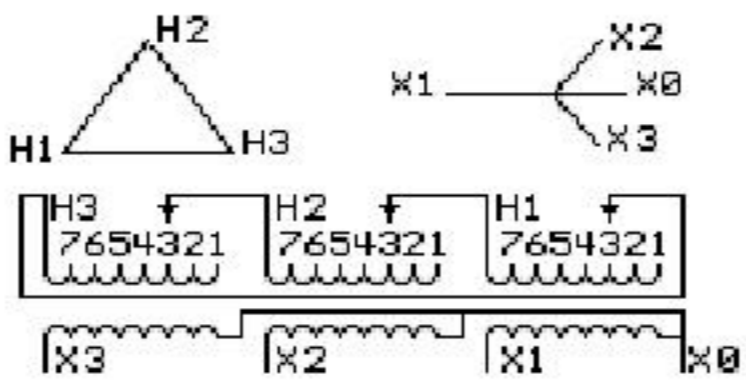
9T10C1004G02

Type QL

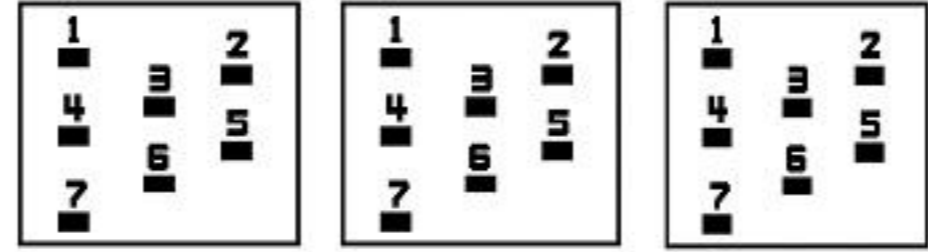
75.0 KVA 60 HZ 3 PH 4.1 % IMP

40 C AMB. 150 C RISE 220 C SYSTEM IS-19C

PRIMARY (H) 480 VOLTS (LINE-LINE)  
SECONDARY (X) 208 VOLTS (LINE-LINE)  
120 VOLTS (LINE-NEUTRAL)



### COIL TAP ARRANGEMENT



### JUMPER CONNECTION

TAP	VOLTS
1	503
2	494
3	480
4	467
5	458
6	445
7	431

NET WGT  
661 LB  
299.8 Kg

59061  
UY74C  
NOG  
011916

INSPECTION  
&  
FINAL TEST  
N604!



ENCLOSURE TYPE 2 (IP20) OR RAINPROOF TYPE 3R (IP22) WHEN PROVIDED SHIELD 9T18Y1074G06

Assembled in Mexico

BEFORE HANDLING, INSTALLING AND OPERATING, SEE INSTRUCTION 475A667AAP001  
COPPER CONDUCTOR PRIMARY: 10 KV BIL SECONDARY: 10 KV BIL Outline: 303B111GEUYP74C

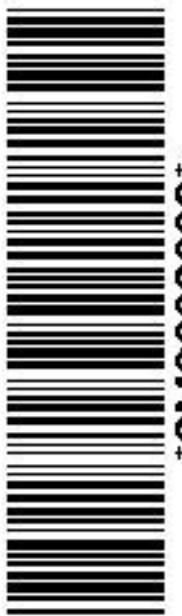
IN ACCORDANCE WITH NEC SECTION 450-9, ALLOW AT LEAST SIX INCHES CLEARANCE FOR VENTILATION. CHECK ADDITIONAL NEC AND LOCAL CODE

X3 H3 X2 H2 X1 H1 -

- - - - -

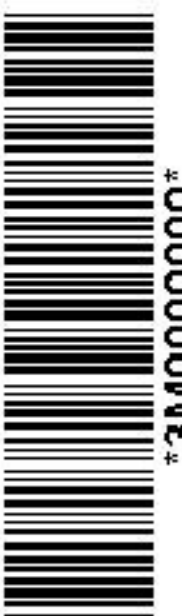
Note: X0 at bottom

X3 H3 X2 H2 X1 H1



\*2M0000000\*

X3 H3 X2 H2 X1 H1



\*3M0000000\*

X0