



# Transformer



\*1M000000\*

Catalog Number  
**9T10C1004G03**

Type **QL**

**75.0 KVA 60 HZ 3 PH 4.3 % IMP**

40 C AMB. 150 C RISE 220 C SYSTEM IS-19C

PRIMARY (H) 480 VOLTS (LINE-LINE)  
SECONDARY (X) 208 VOLTS (LINE-LINE)  
120 VOLTS (LINE-NEUTRAL)

ELECTROSTATIC GROUND SHIELD IN EACH PHASE

ENCLOSURE TYPE 2 (IP20). OR RAINPROOF TYPE 3R (IP22) WHEN PROVIDED SHIELD 9T18Y1074G06

BEFORE HANDLING, INSTALLING AND OPERATING, SEE INSTRUCTION 475A667AAP001  
COPPER CONDUCTOR PRIMARY: 10 KV BIL SECONDARY: 10 KV BIL

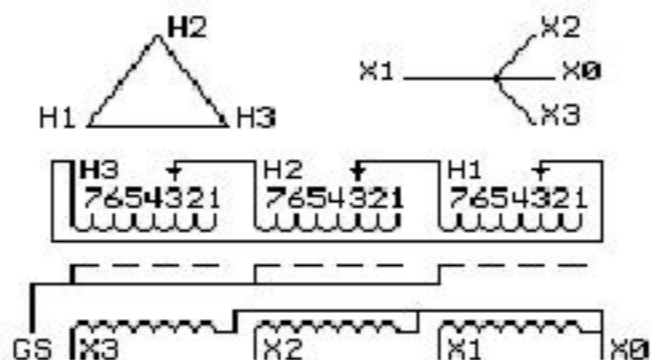
Outline:  
303B111GEUY74C

**IN ACCORDANCE WITH NEC SECTION 450-9, ALLOW AT LEAST SIX INCHES  
CLEARANCE FOR VENTILATION. CHECK ADDITIONAL NEC AND LOCAL CODE**

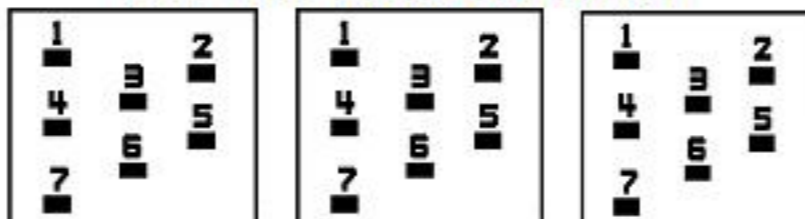
GE Energy Industrial Solutions

NEMA CLASS AA DRY TYPE TRANSFORMER

Meets DOE 2016 efficiency



### COIL TAP ARRANGEMENT



JUMPER CONNECTION	
TAP	VOLTS
1	503
2	494
3	480
4	467
5	458
6	445
7	431

NET WGT  
661 LB  
299.8 Kg

60590  
UY74C  
NOG  
031716

INSPECTION  
&  
FINAL TEST  
N612!



LISTED 769G

Assembled in Mexico

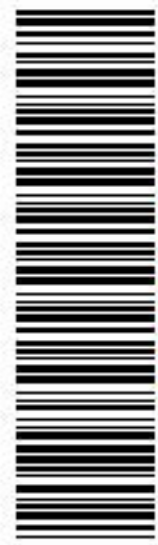
X3 H3 X2 H2 X1 H1 -

Note: X0 at bottom

X3 H3 X2 H2 X1 H1

X3 H3 X2 H2 X1 H1

X0



\*2M000000\*



\*3M000000\*